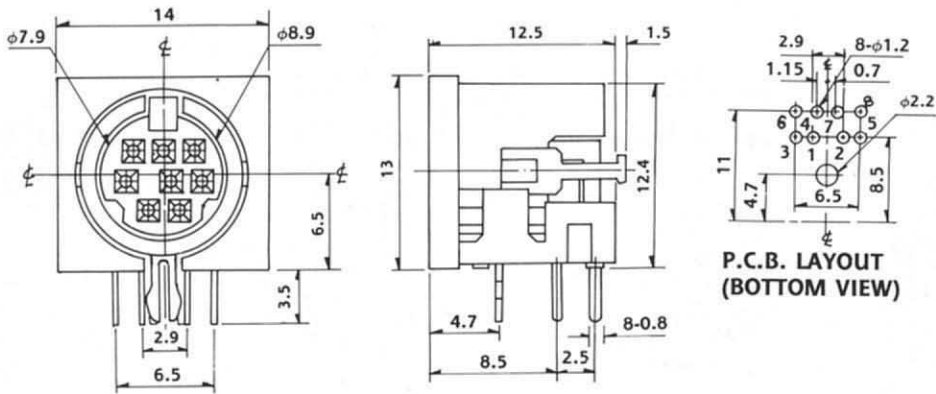
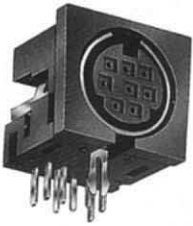




COMPANY PROFILE.....	2
MINI DIN JACK.....	3
DIN JACK.....	6
4.5ϕ TELEPHONE JACK.....	10
XLR JACK.....	11
6.4 ϕ HEADPHONE JACK.....	13
2.5 ϕ EARPHONE JACK.....	17
3.5 ϕ EARPHONE JACK.....	20
RCA JACK.....	28
DC POWER JACK.....	35
3 PIN CONNECTOR.....	39
FUSE HOLDER.....	40
RF CONNECTOR.....	41
POWER JACK.....	41
LEAF SWITCH.....	42

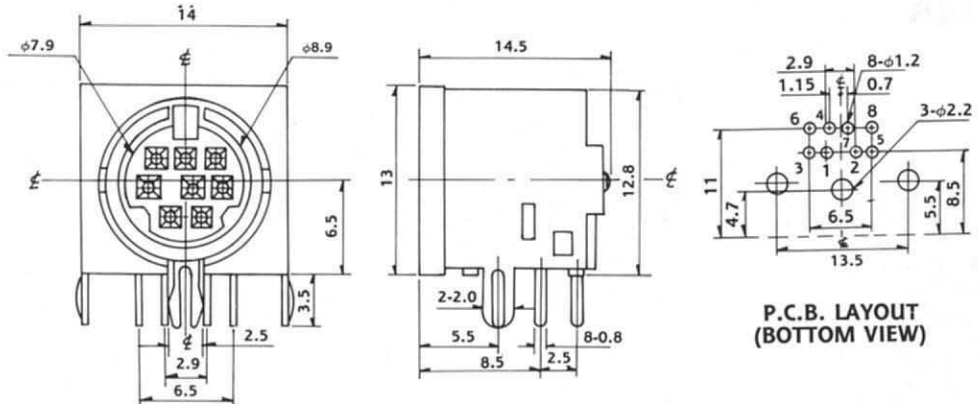
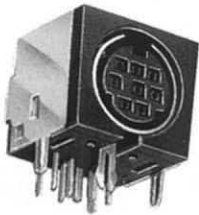
MINI DIN JACK

LNBO508



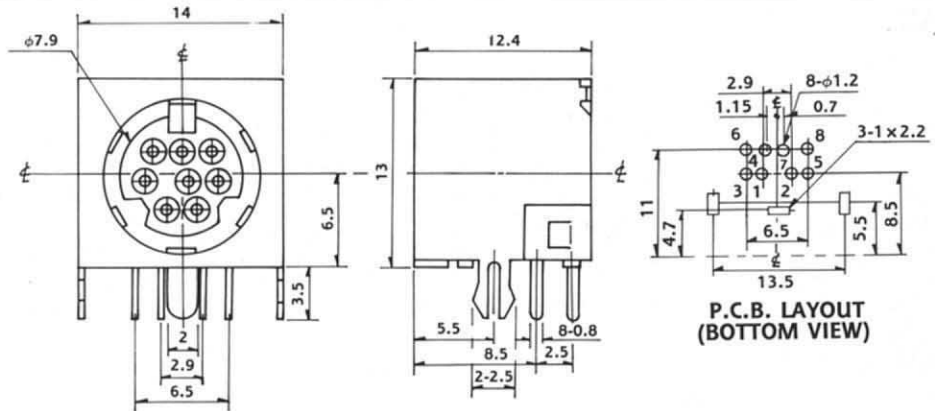
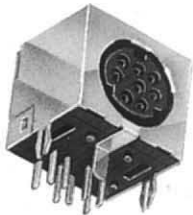
-3	-4	-5	-5B	-6	-7	-8	-8B	-9

LNBO508A



-3	-4	-5	-5B	-6	-7	-8	-8B	-9

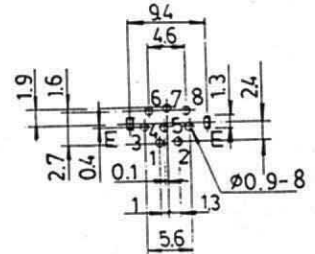
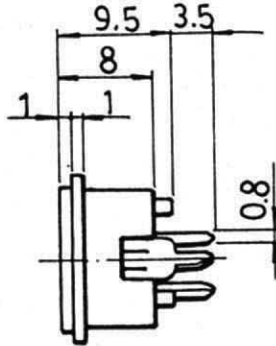
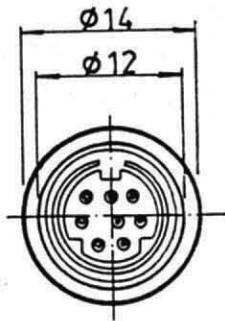
LNBO509



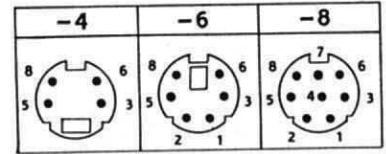
-4	-6	-8

MINI DIN JACK

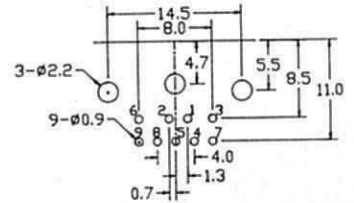
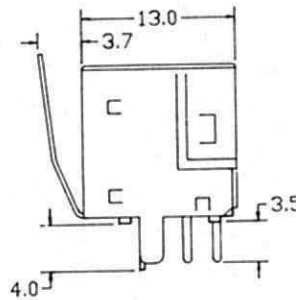
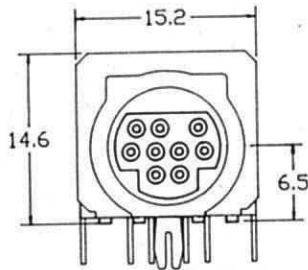
LNB0510



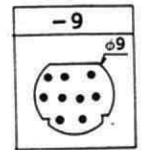
P.C.B. LAYOUT (BOTTOM VIEW)



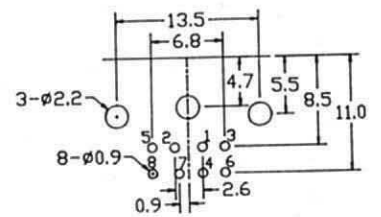
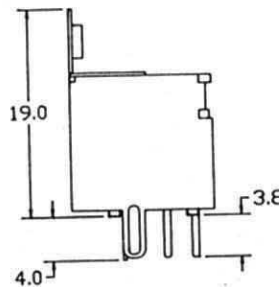
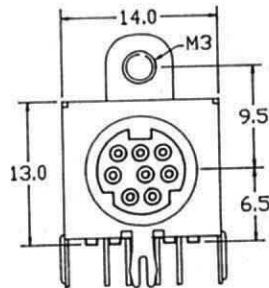
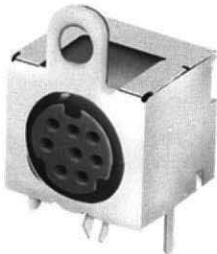
LNB0511A



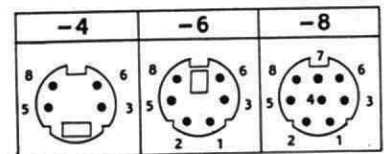
P.C.B. LAYOUT (BOTTOM VIEW)



LNB0512

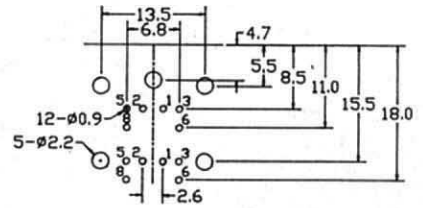
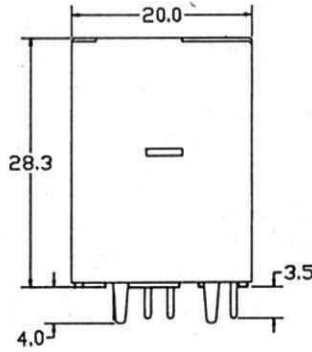
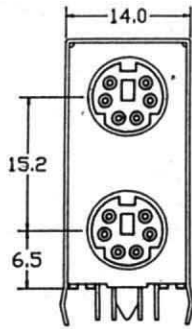
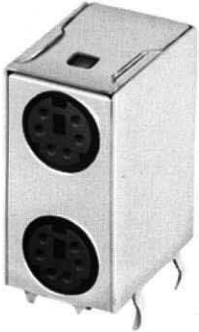


P.C.B. LAYOUT (BOTTOM VIEW)

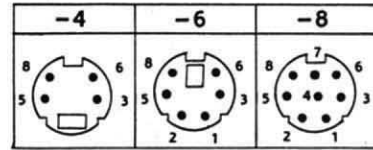


MINI DIN JACK

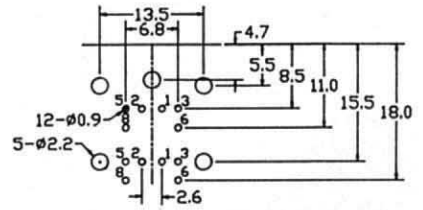
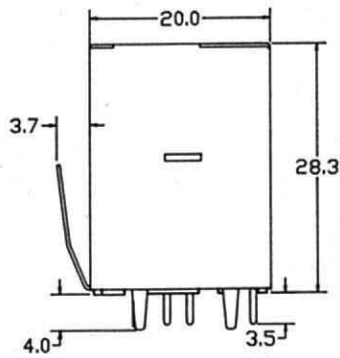
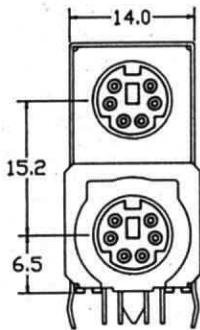
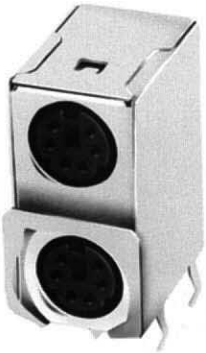
LNB0513



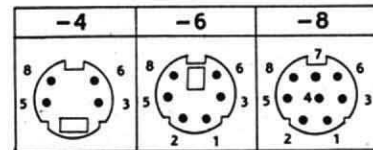
**P.C.B. LAYOUT
(BOTTOM VIEW)**



LNB0513A

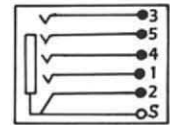
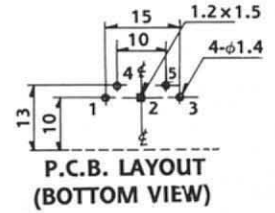
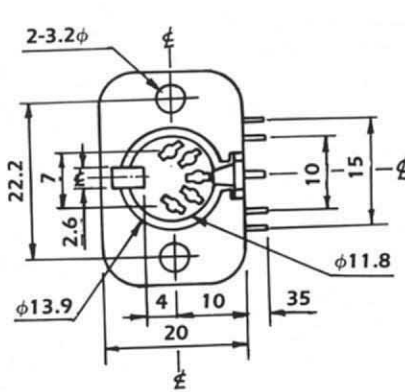


**P.C.B. LAYOUT
(BOTTOM VIEW)**

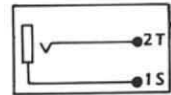
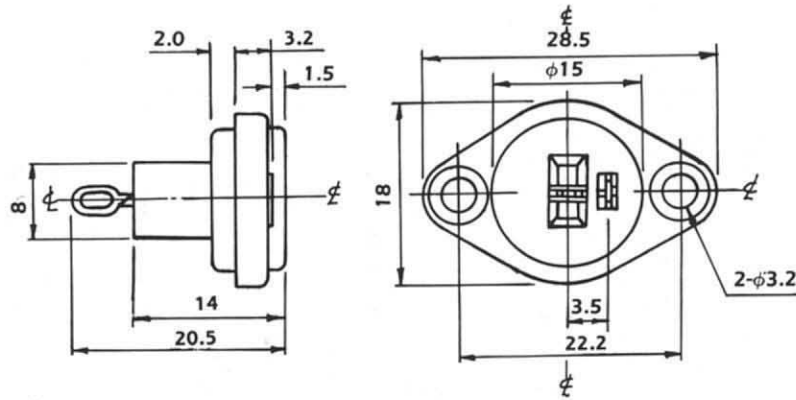


DIN JACK

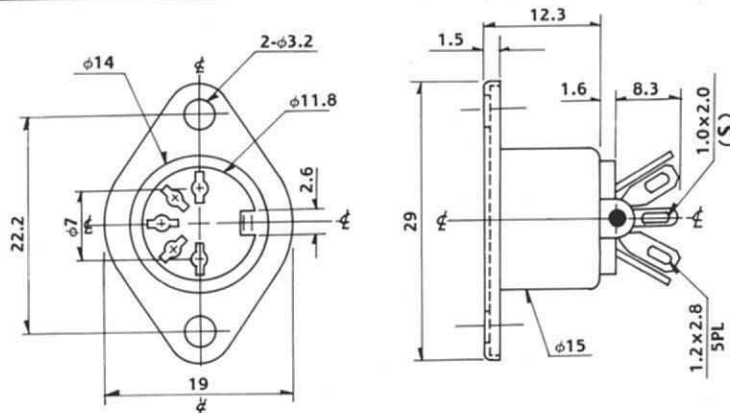
LN-0502



LN-0504



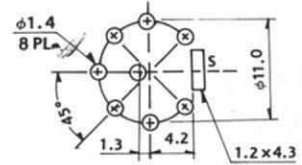
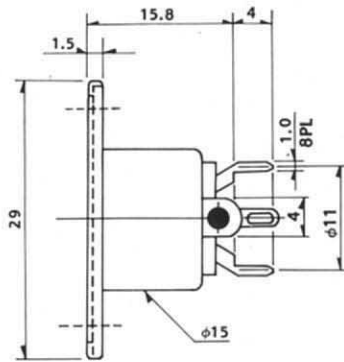
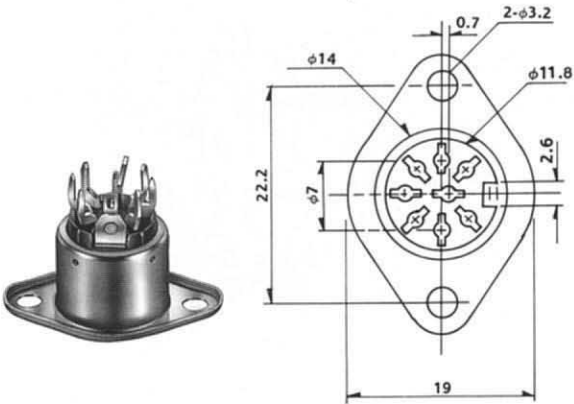
LN-0505



-003	-005	-015	-025	-006	-007	-008
	45°	60°	45°	60°	45°	45°
						0.7

DIN JACK

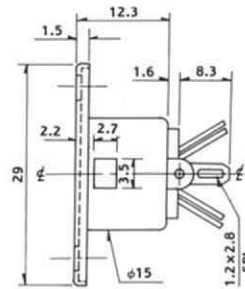
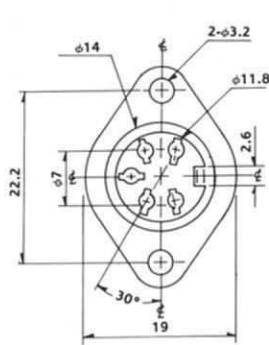
LN-0505B P.C.B. ($\phi 11$)



**P.C.B. LAYOUT
(BOTTOM VIEW)**

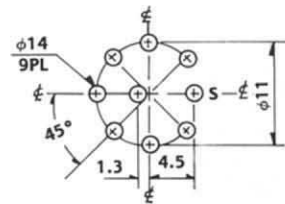
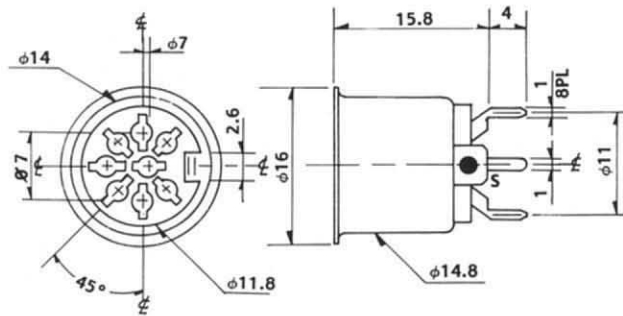
-003	-005	-015	-025	-006	-007	-008
	45° 	60° 	45° 	60° 	45° 	45°

LN-0505C (W/O GROUND) W/QUICK-LOCK



-003	-005	-015	-025	-006	-007	-008
	45° 	60° 	45° 	60° 	45° 	45°

LN-0506 P.C.B. ($\phi 11$)

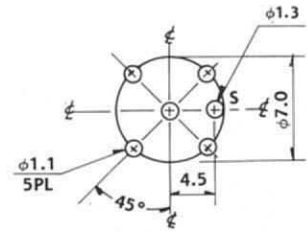
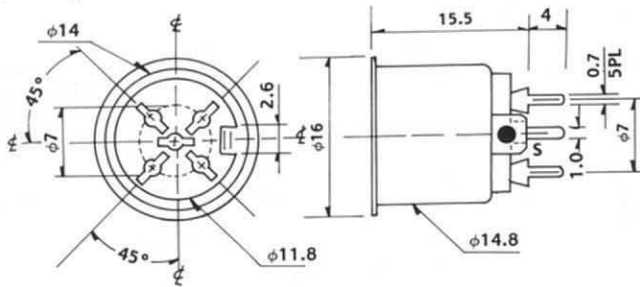


**P.C.B. LAYOUT
(BOTTOM VIEW)**

-003	-005	-015	-025	-006	-007	-008
	45° 	60° 	45° 	60° 	45° 	45°

DIN JACK

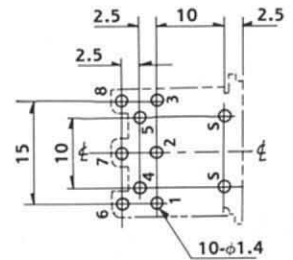
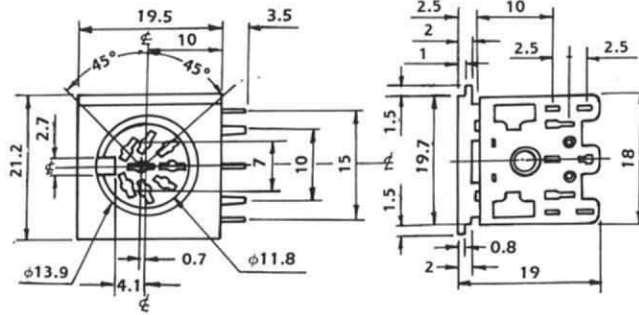
LN-0506A P.C.B. ($\phi 7.0$)



**P.C.B. LAYOUT
(BOTTOM VIEW)**

-003	-005	-015	-025	-006	-007	-008
	45° 	60° 	45° 	60° 	45° 	45°

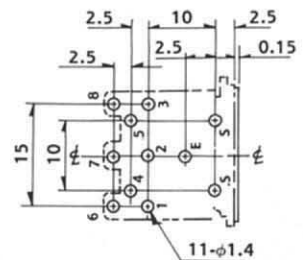
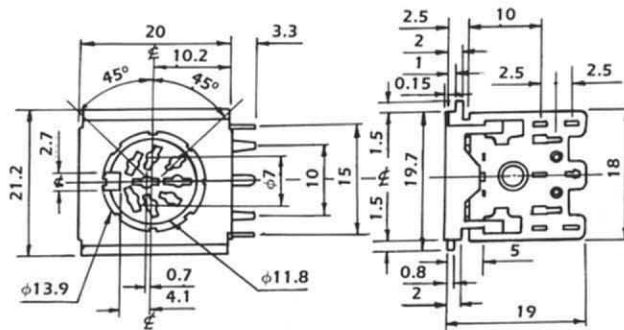
LN-0507



**P.C.B. LAYOUT
(BOTTOM VIEW)**

-4	-5	-6	-7	-8
72° 	45° 	60° 	45° 	45°

LN-0507A

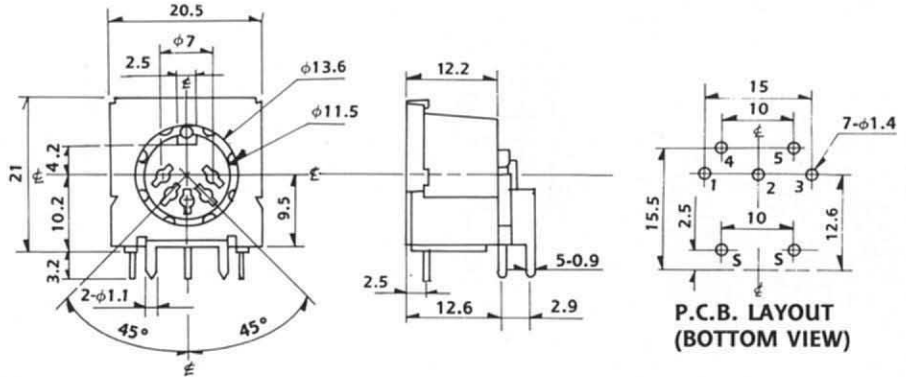


**P.C.B. LAYOUT
(BOTTOM VIEW)**

-4	-5	-6	-7	-8
72° 	45° 	60° 	45° 	45°

DIN JACK

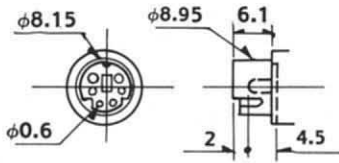
LN-0507B



MATING PLUG MINI DIN JACK

REQUIREMENTS

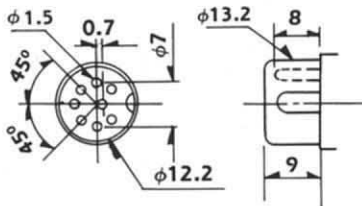
- CONTACT RESISTANCE: 30m Ω max. (INITIAL)
- INSULATION RESISTANCE: 100M Ω min. AT 500V DC.
- WITHSTANDING VOLTAGE: 500V AC FOR ONE MINUTE.
- SOLDERING HEAT TEST: 260 \pm 5 $^{\circ}$ C FOR 5 \pm 1 SECONDS.
- INSERTION FORCE: 0.5-4.5 KG.
- EXTRACTION FORCE: 0.4-3.5 KG.
- LIFE TIME: 5,000 CYCLES min.



MATING PLUG DIN JACK

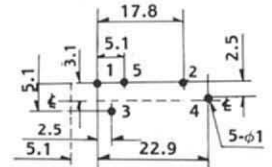
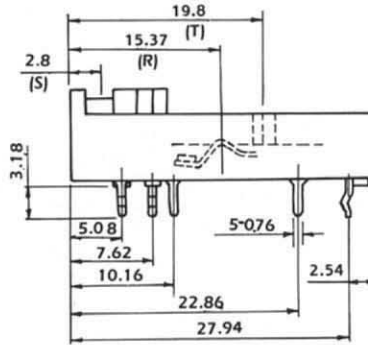
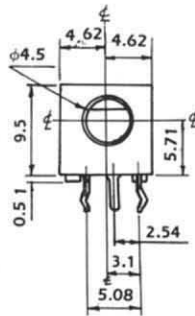
REQUIREMENTS

- CONTACT RESISTANCE: 30m Ω max. (INITIAL)
- INSULATION RESISTANCE: 100M Ω min. AT 500V DC.
- WITHSTANDING VOLTAGE: 500V AC FOR ONE MINUTE.
- SOLDERING HEAT TEST: 260 \pm 5 $^{\circ}$ C FOR 5 \pm 1 SECONDS.
- INSERTION FORCE: 0.5-5.0 KG.
- EXTRACTION FORCE: 0.5-5.0 KG.
- LIFE TIME: 5,000 CYCLES min.

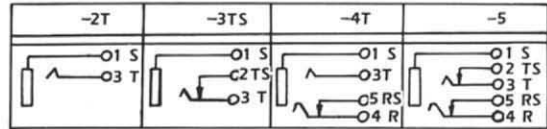


4.5φ TELEPHONE JACK

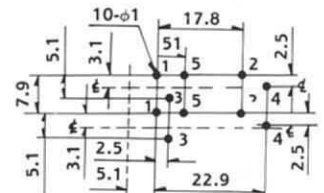
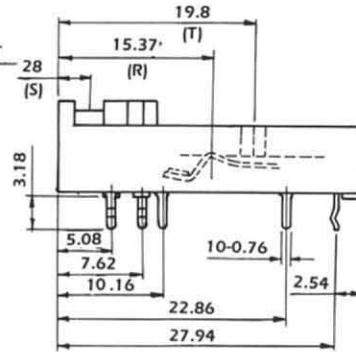
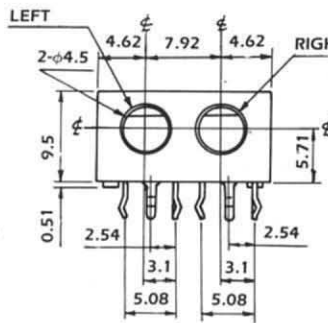
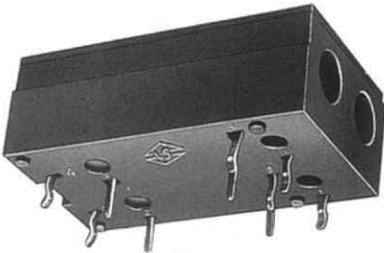
LJA0451 W/COVER
LJA0451N W/O COVER



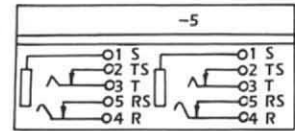
**P.C.B. LAYOUT
(BOTTOM VIEW)**



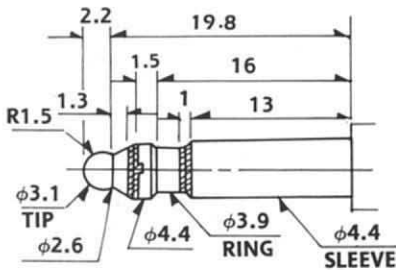
LJA0452 W/COVER
LJA0452N W/O COVER



**P.C.B. LAYOUT
(BOTTOM VIEW)**



MATING PLUG

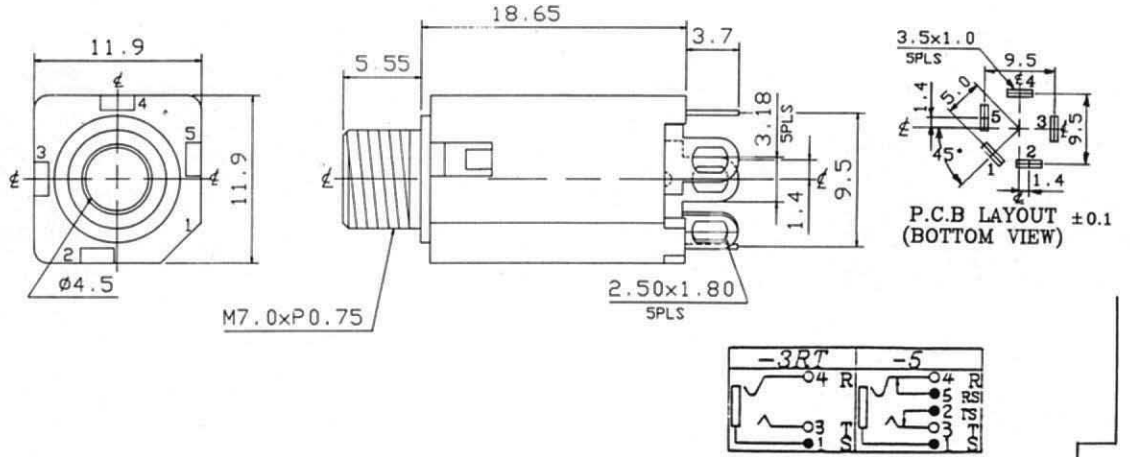


REQUIREMENTS

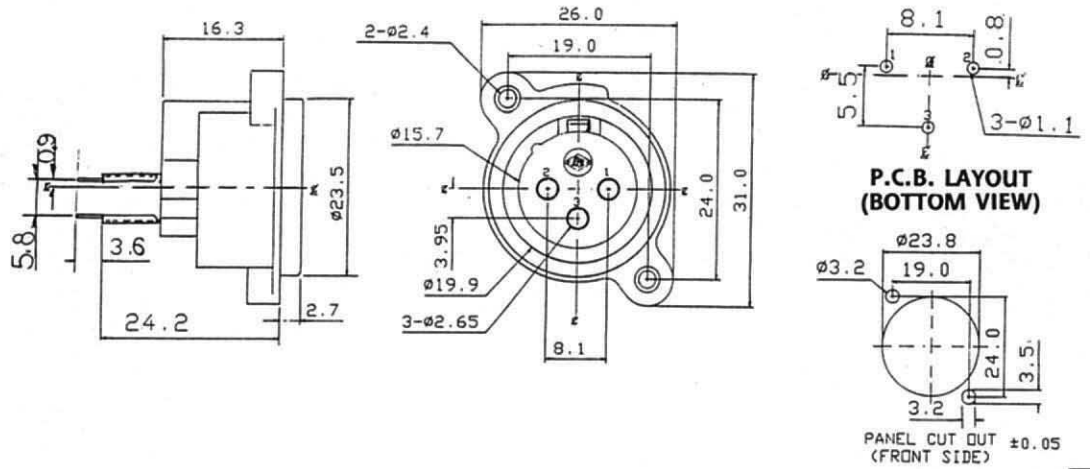
- CONTACT RESISTANCE: 30mΩ max. (INITIAL)
- INSULATION RESISTANCE: 100MΩ min. AT 500V DC.
- WITHSTANDING VOLTAGE: 500V AC FOR ONE MINUTE.
- SOLDERING HEAT TEST: 260±5°C FOR 5±1 SECONDS.
- INSERTION FORCE: 0.68-3.18 KG.
- EXTRACTION FORCE: 0.68-3.18 KG.
- LIFE TIME: 5,000 CYCLES min.

4.5φ TELEPHONE JACK . XLR JACK

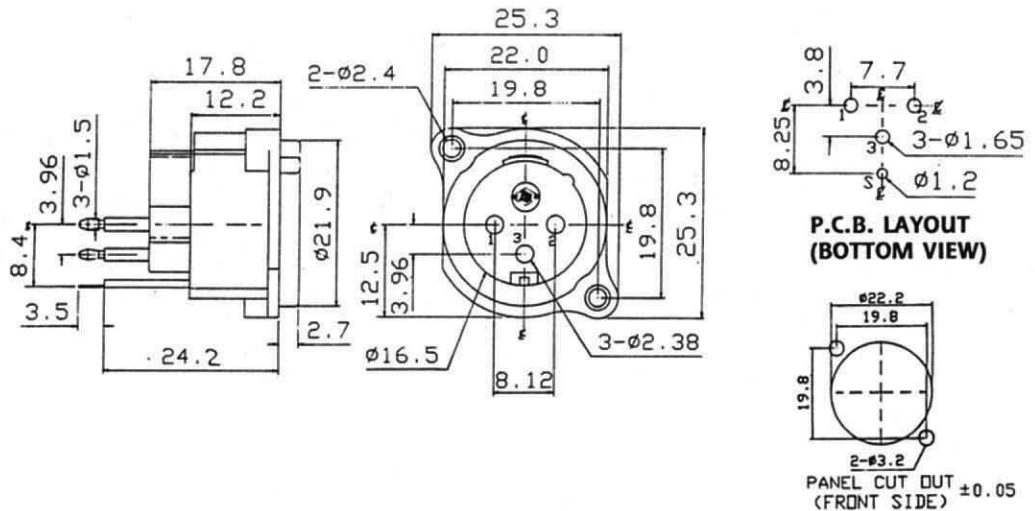
LJA0453



LX-1602-3

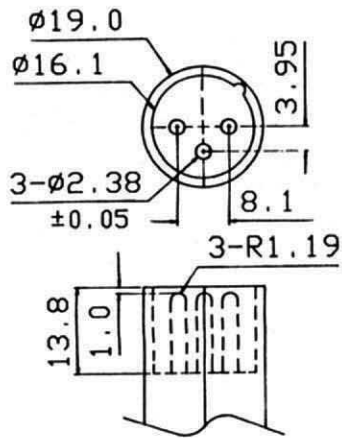


LX-1603-3



XLR JACK

XLR JACK MATING PLUG



REQUIREMENTS

CONTACT RESISTANCE: $30\text{m}\Omega$ max. (INITIAL)

INSULATION RESISTANCE: $100\text{M}\Omega$ min. AT 500V DC.

WITHSTANDING VOLTAGE: 1500V AC FOR ONE MINUTE.

SOLDERING HEAT TEST: $260 \pm 5^\circ\text{C}$ FOR 5 ± 1 SECONDS.

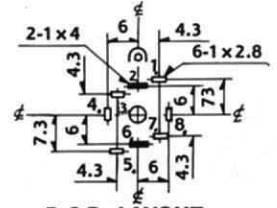
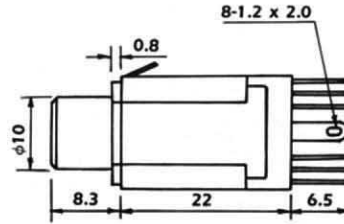
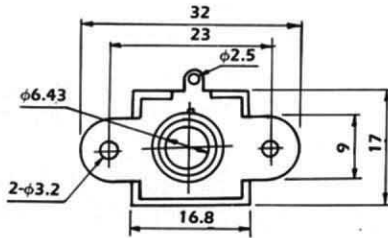
INSERTION FORCE: 0.4 - 2.0 KG.

EXTRACTION FORCE: 0.4 - 3.0 KG.

LIFE TIME: 5,000 CYCLES min.

6.4φ HEADPHONE JACK

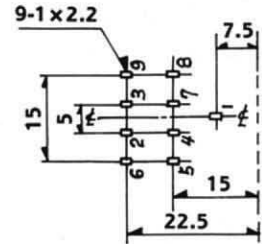
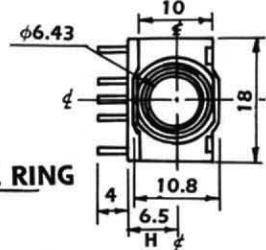
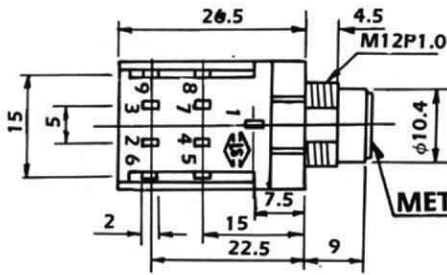
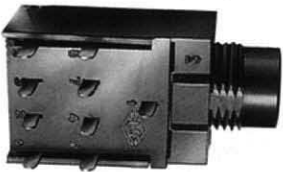
LH-0648



**P.C.B. LAYOUT
(BOTTOM VIEW)**

0642-3RT	0642-3TS	0643-4R	0644	0646	0648

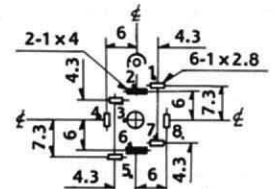
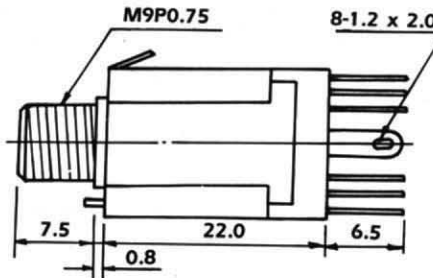
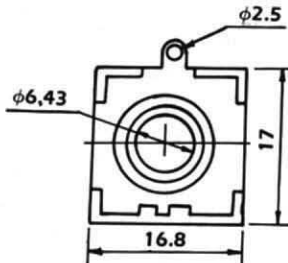
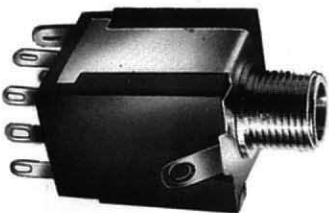
LH-0688 W/METAL RING



**P.C.B. LAYOUT
(BOTTOM VIEW)**

0682-3RT	0684	0686	0688

LH-0638

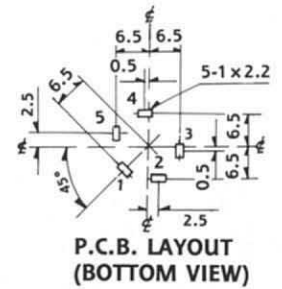
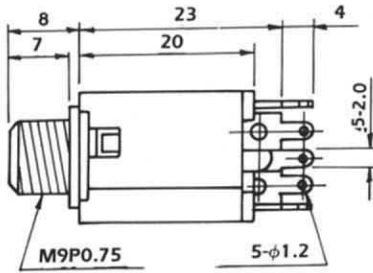
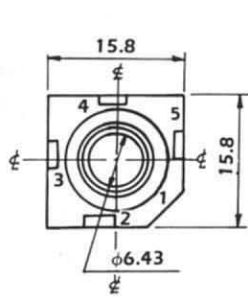


**P.C.B. LAYOUT
(BOTTOM VIEW)**

0632-3RT	0632-3TS	0633-4R	0634	0636	0638

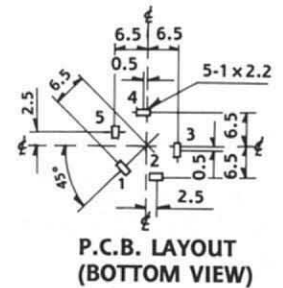
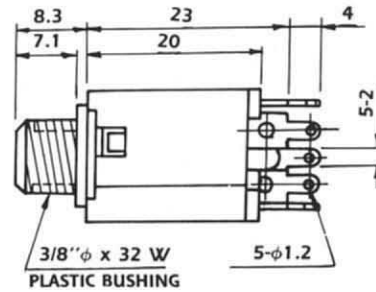
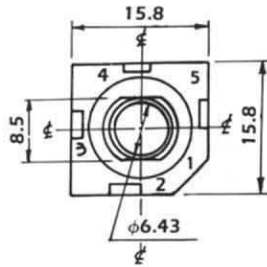
6.4φ HEADPHONE JACK

LJ-0695 (9.0)



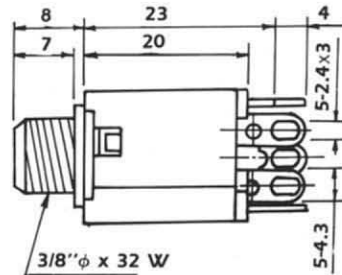
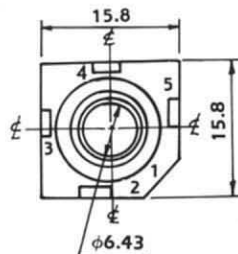
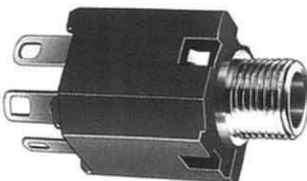
-2T	-3RT	-3TS	-4R	-5	-4TM	-4TC

LJ-0695A (9.5) PLASTIC BUSHING LJ-0695F (9.5) METAL BUSHING



-2T	-3RT	-3TS	-4R	-5	-4TM	-4TC

LJ-0696F (9.5) METAL BUSHING LJ-0696A (9.5) PLASTIC BUSHING

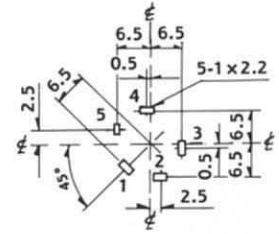
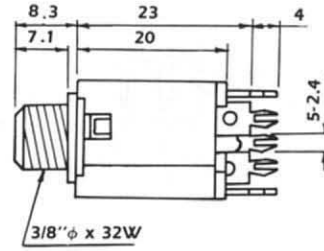
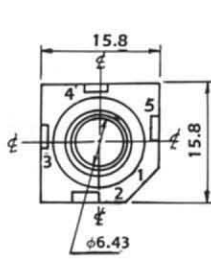
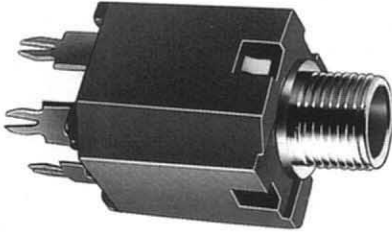


-2T	-3RT	-3TS	-4R	-5

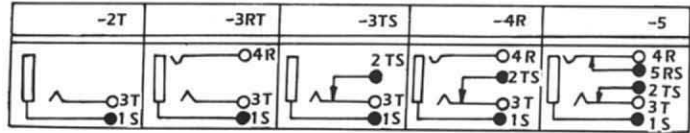
6.4φ HEADPHONE JACK

LJ-0697F (9.5) METAL BUSHING

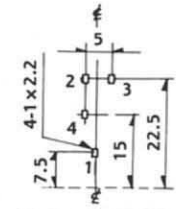
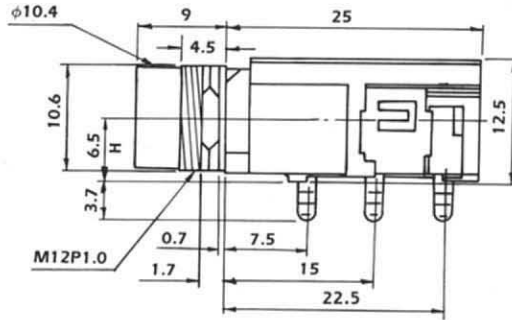
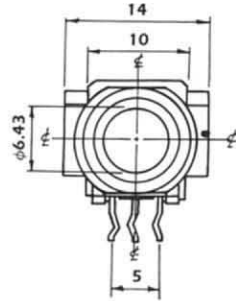
LJ-0697A (9.5) PLASTIC BUSHING



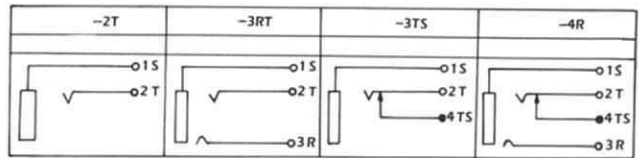
P.C.B. LAYOUT
(BOTTOM VIEW)



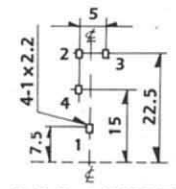
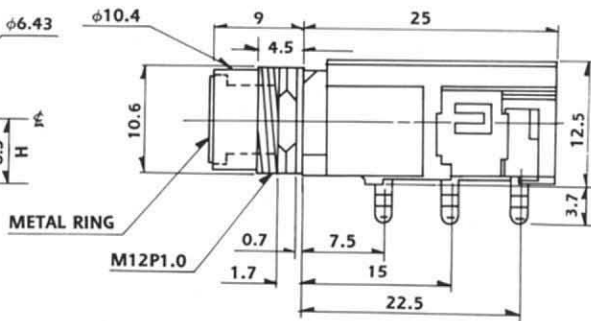
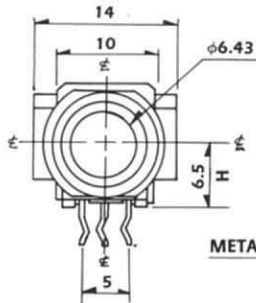
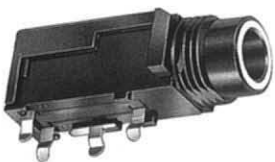
LJB0660
W/O METAL RING



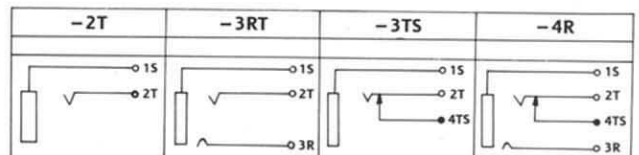
P.C.B. LAYOUT
(BOTTOM VIEW)



LJB0660A
W/METAL RING

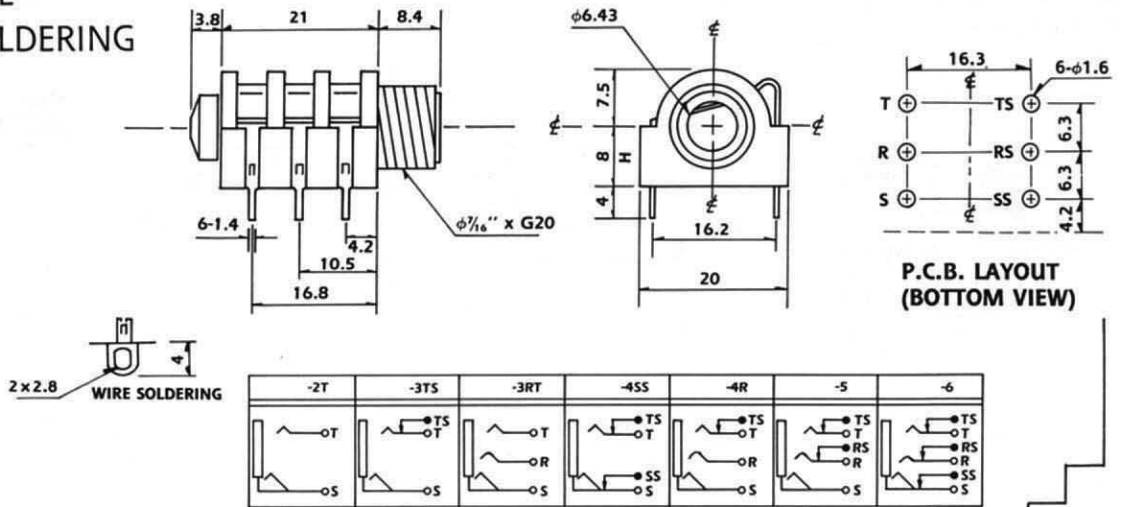


P.C.B. LAYOUT
(BOTTOM VIEW)

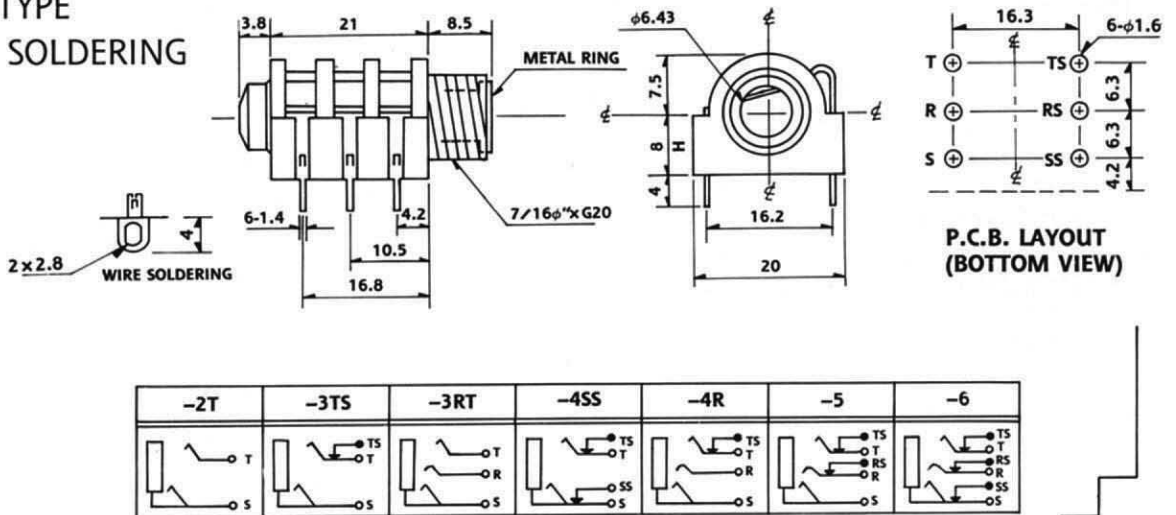
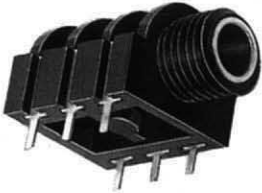


6.4φ HEADPHONE JACK

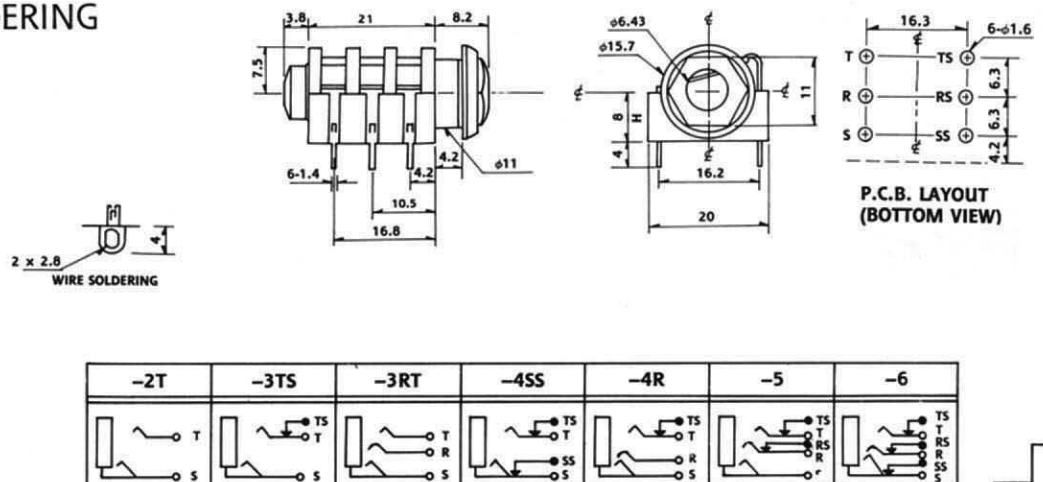
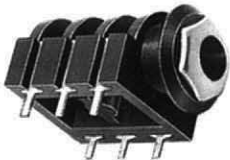
LJB0661 P.C.B. TYPE
LJB0661A WIRE SOLDERING



LJB0661B P.C.B. TYPE
LJB0661BA WIRE SOLDERING

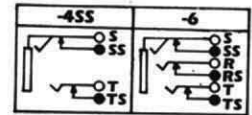
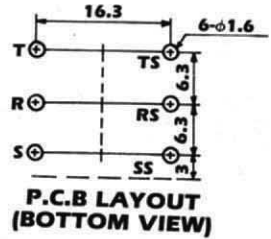
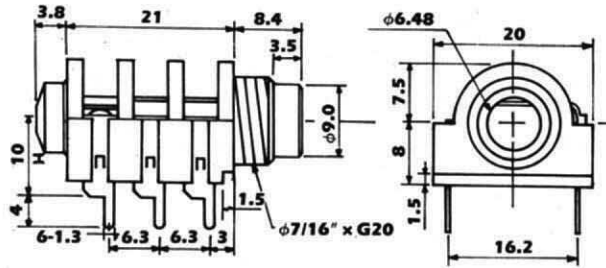


LJB0664 P.C.B. TYPE
LJB0664A WIRE SOLDERING

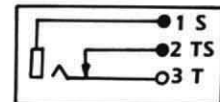
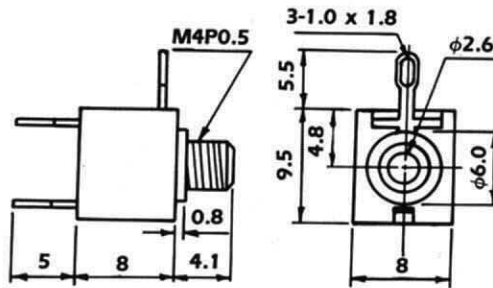


6.4 ϕ HEADPHONE JACK 2.5 ϕ EARPHONE JACK

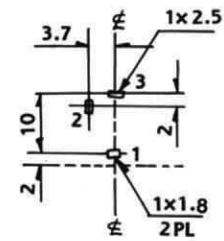
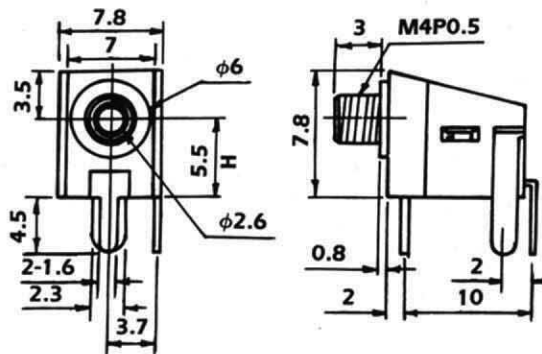
LJB0665H (10m/m)
LJB0665 (8m/m)



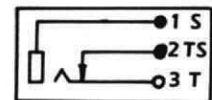
LJE0250



LJE0251 W/THREAD
LJE0251-A W/O THREAD

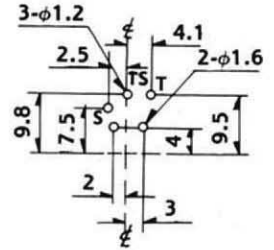
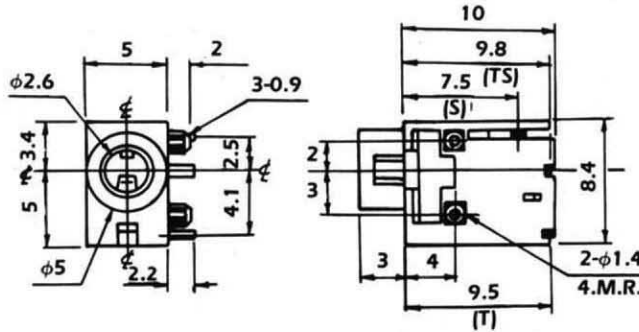
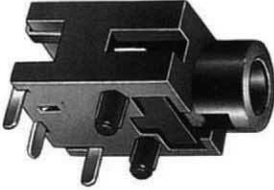


P.C.B. LAYOUT (BOTTOM VIEW)

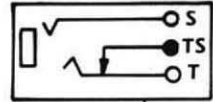


2.5 ϕ EARPHONE JACK

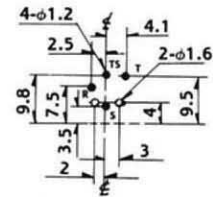
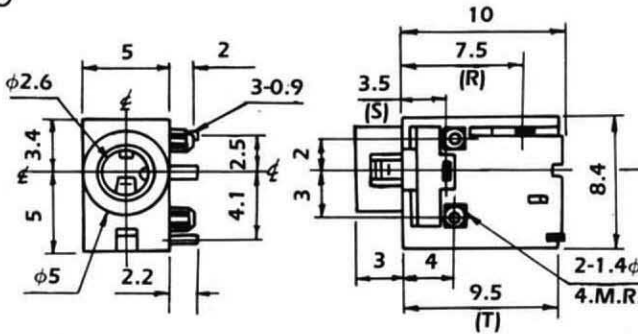
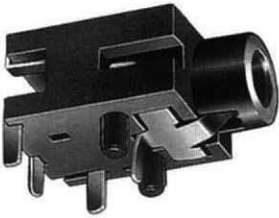
LJE0252-B



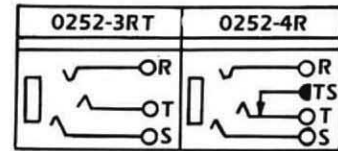
**P.C.B. LAYOUT
(BOTTOM VIEW)**



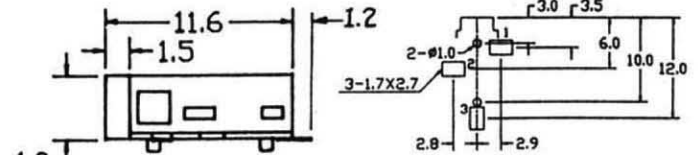
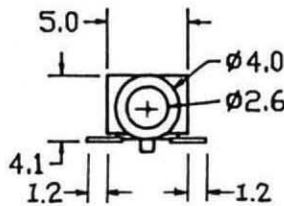
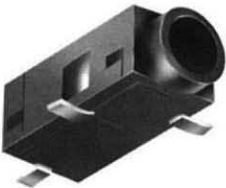
LJE0252-3RT STEREO



**P.C.B. LAYOUT
(BOTTOM VIEW)**

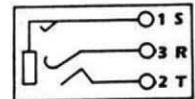


LJE0255



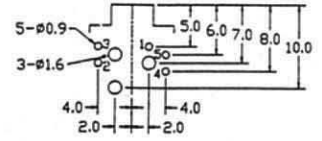
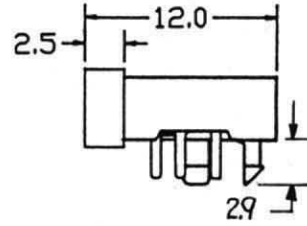
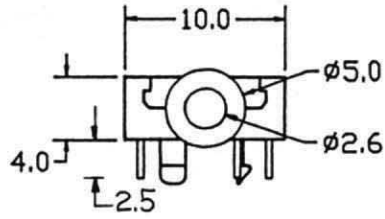
**P.C.B. LAYOUT
(BOTTOM VIEW)**

(S.M.T.)



2.5 ϕ . EARPHONE JACK

LJE0257

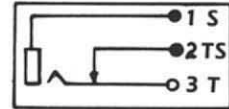
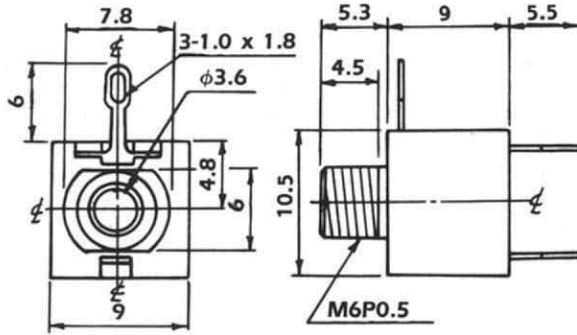


**P.C.B. LAYOUT
(BOTTOM VIEW)**

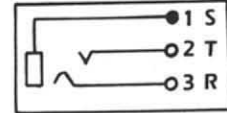
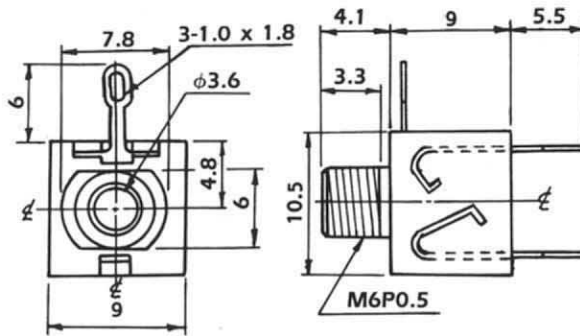
-2T	-3RT	-3TS	-4R	-5

3.5 ϕ EARPHONE JACK

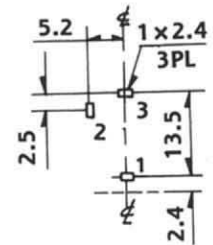
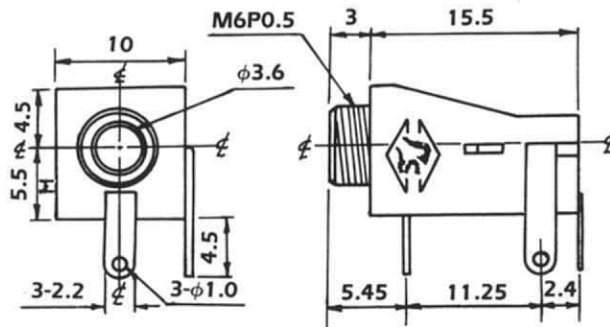
LJE0350



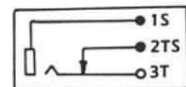
LJE0350-3RT STEREO



LJE0351 W/THREAD LJE0351A W/O THREAD

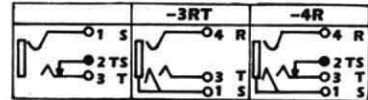
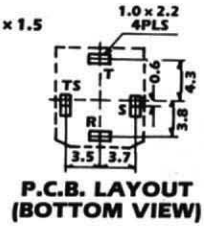
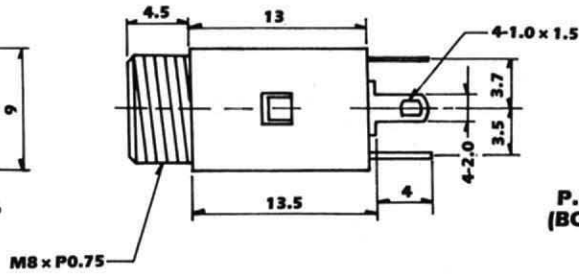
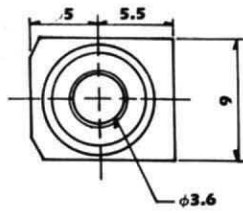


P.C.B. LAYOUT (BOTTOM VIEW)

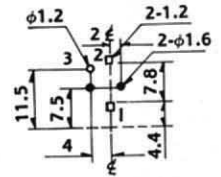
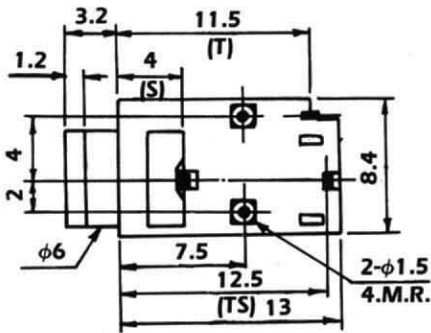
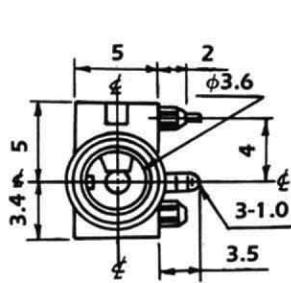


3.5 ϕ EARPHONE JACK

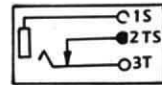
LJE0352



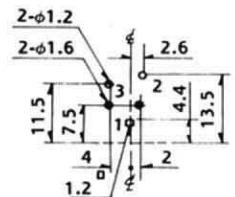
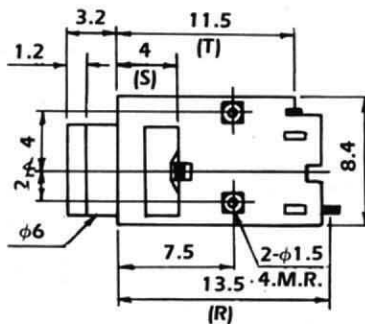
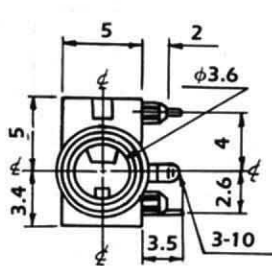
LJE0357-B



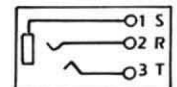
P.C.B. LAYOUT (BOTTOM VIEW)



LJE0357-3RT STEREO

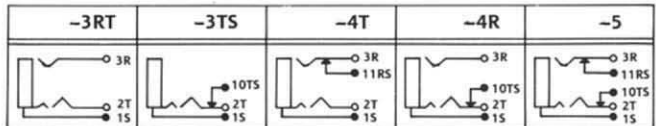
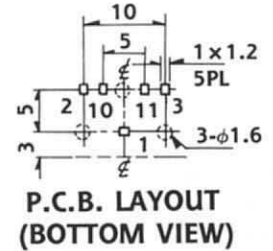
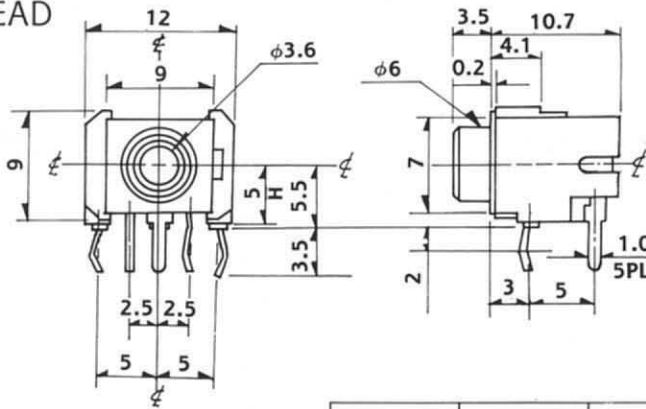
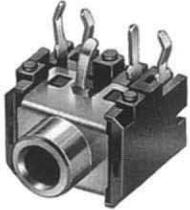


P.C.B. LAYOUT (BOTTOM VIEW)

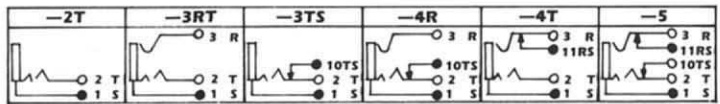
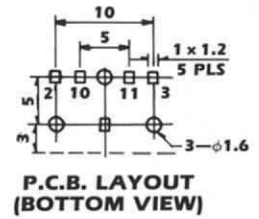
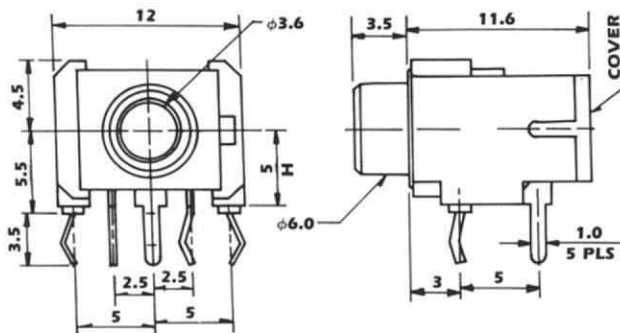


3.5φ EARPHONE JACK

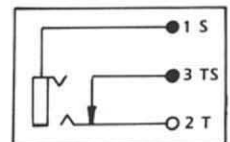
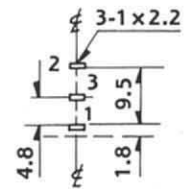
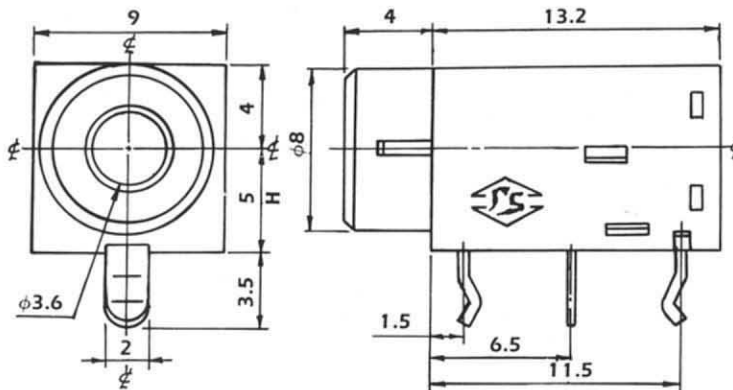
LJE0359A W/O THREAD
LJE0359 W/THREAD



LJE0359AM W/O THREAD
LJE0359M W/THREAD

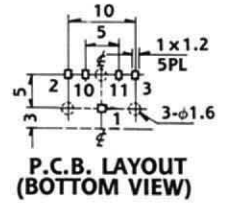
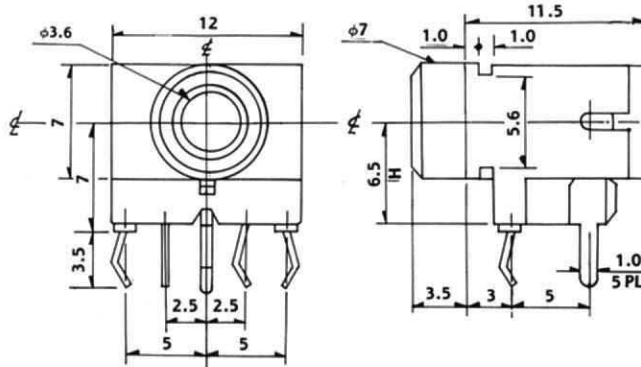


LJE0360



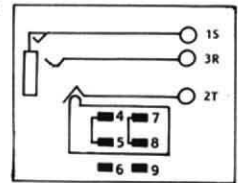
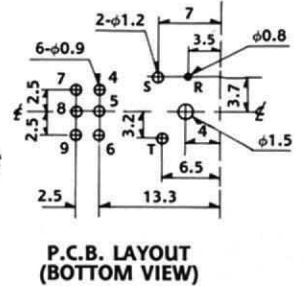
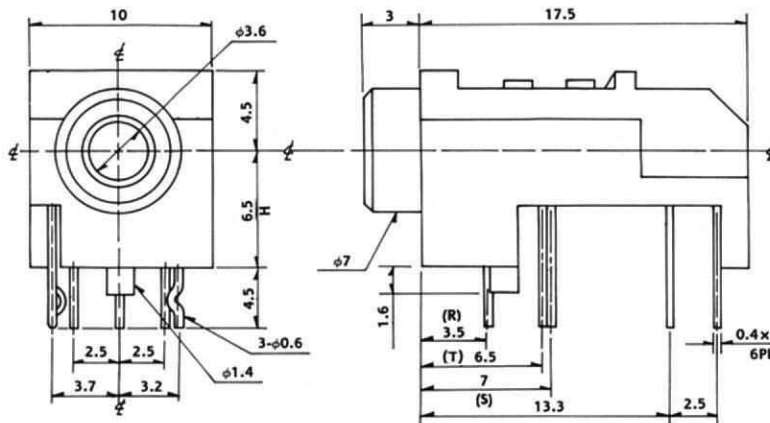
3.5 ϕ EARPHONE JACK

LJE0361

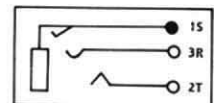
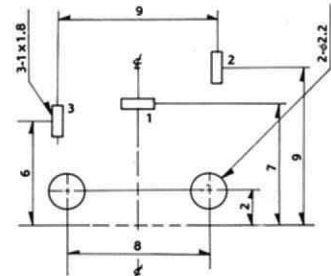
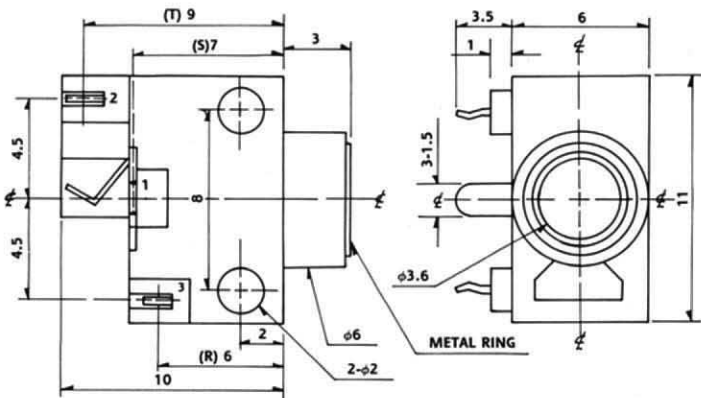


-3RT	-3TS	-4T	-4R	-5

LJE0362-9

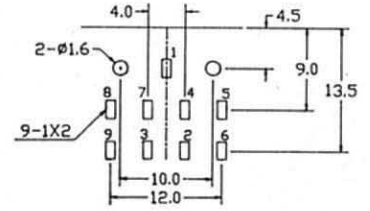
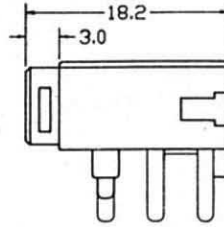
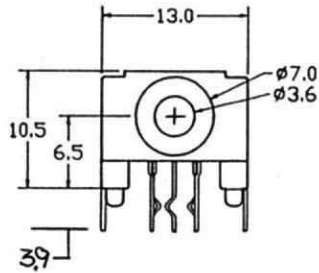


LJE0363A-3RT W/METAL RING STEREO
LJE0363-3RT W/O METAL RING

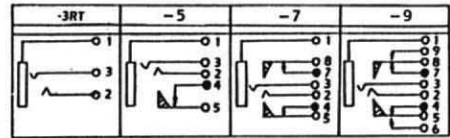


3.5 ϕ EARPHONE JACK

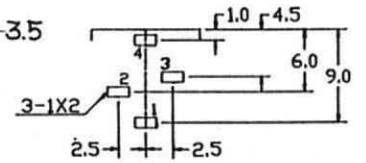
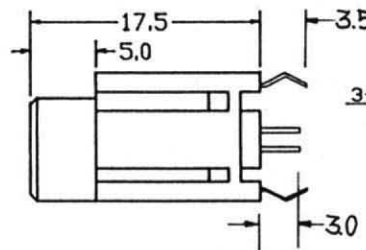
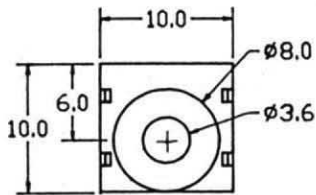
LJE0367



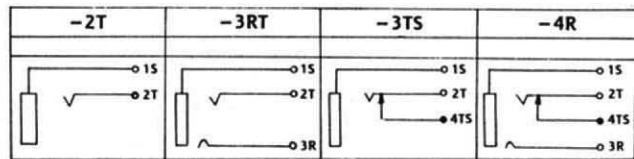
**P.C.B. LAYOUT
(BOTTOM VIEW)**



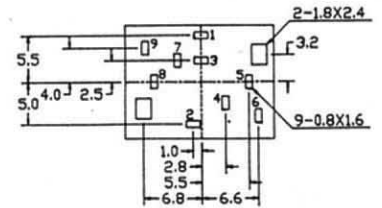
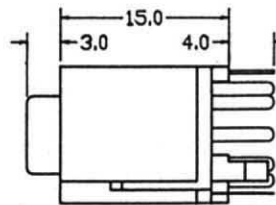
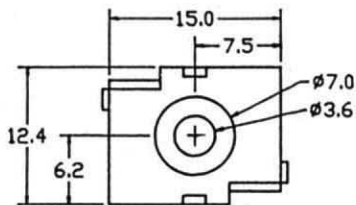
LJE0368



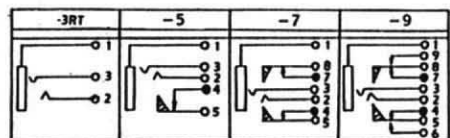
**P.C.B. LAYOUT
(BOTTOM VIEW)**



LJE0369

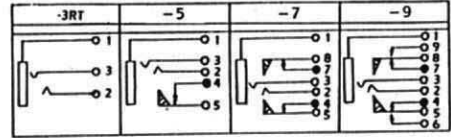
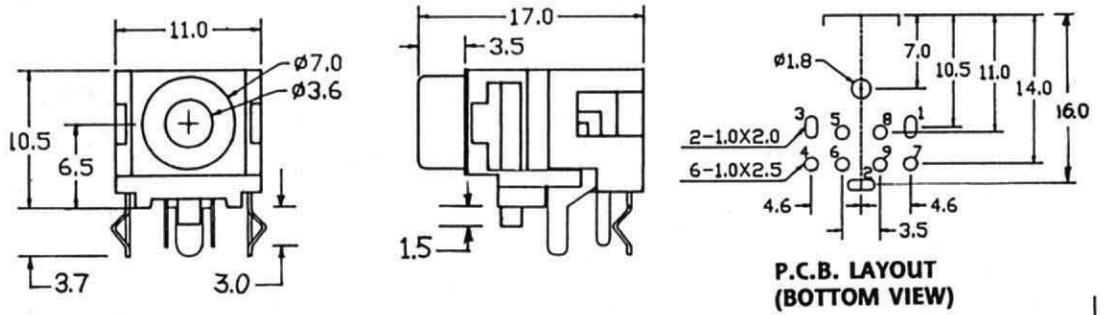


**P.C.B. LAYOUT
(BOTTOM VIEW)**

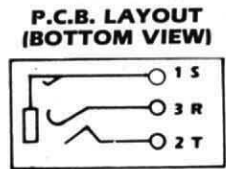
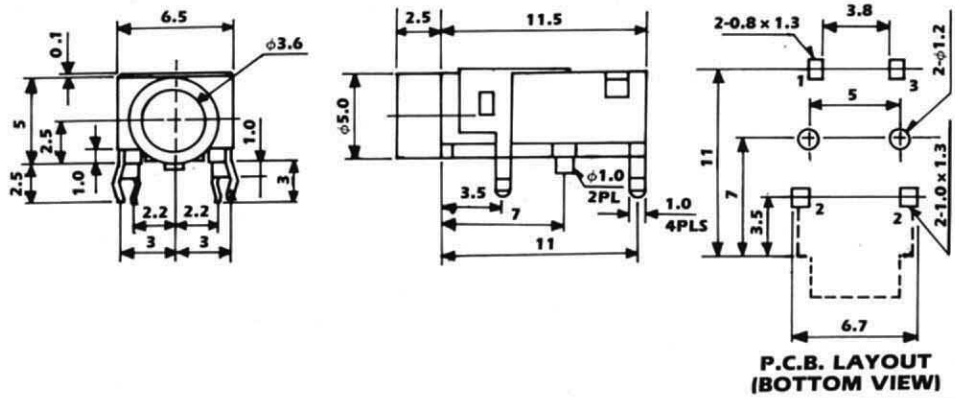


3.5 ϕ EARPHONE JACK

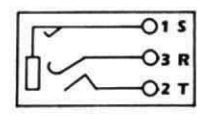
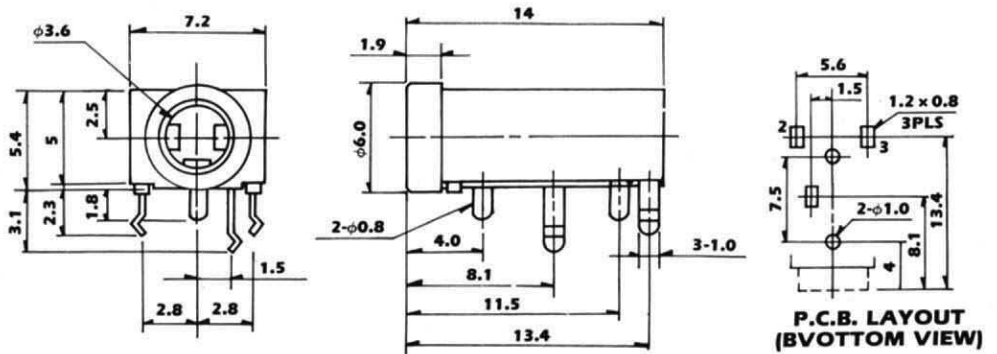
LJE0370



LJE3530K STEREO



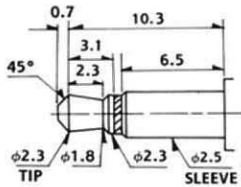
LJE3531 STEREO



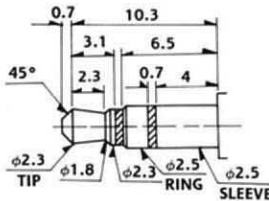
MATING PLUG

2.5 ϕ EARPHONE JACK

MONO



STEREO



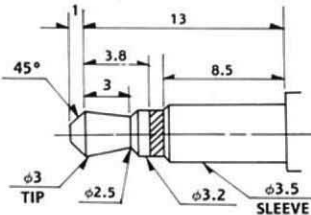
REQUIREMENTS

CONTACT RESISTANCE: 30m Ω max. (INITIAL)
 INSULATION RESISTANCE: 100M Ω min. AT 500V DC.
 WITHSTANDING VOLTAGE: 500V AC FOR ONE MINUTE.
 SOLDERING HEAT TEST: 260 \pm 5 $^{\circ}$ C FOR 5 \pm 1 SECONDS.
 INSERTION FORCE: 0.3-2.0 KG.
 EXTRACTION FORCE: 0.3-2.0 KG.
 LIFE TIME: 5,000 CYCLES min.

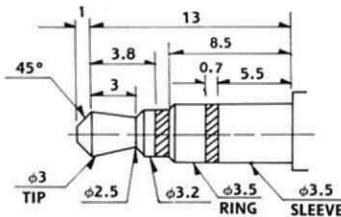
MATING PLUG

3.5 ϕ EARPHONE JACK

MONO



STEREO



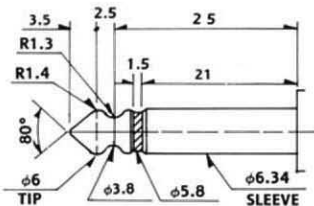
REQUIREMENTS

CONTACT RESISTANCE: 30m Ω max. (INITIAL)
 INSULATION RESISTANCE: 100M Ω min. AT 500V DC.
 WITHSTANDING VOLTAGE: 500V AC FOR ONE MINUTE.
 SOLDERING HEAT TEST: 260 \pm 5 $^{\circ}$ C FOR 5 \pm 1 SECONDS.
 INSERTION FORCE: 0.3-2.0 KG.
 EXTRACTION FORCE: 0.3-2.0 KG.
 LIFE TIME: 5,000 CYCLES min.

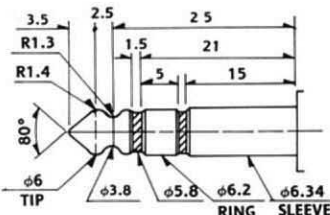
MATING PLUG

6.4 ϕ HEADPHONE JACK

MONO



STEREO

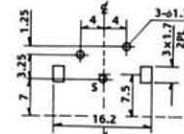
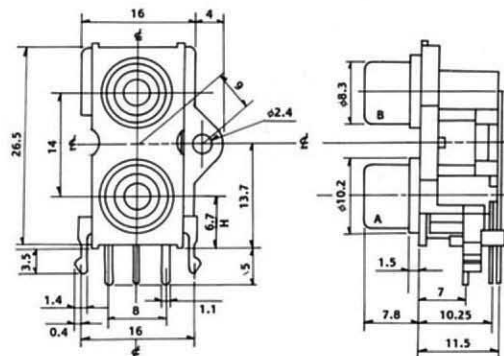


REQUIREMENTS

CONTACT RESISTANCE: 30m Ω max. (INITIAL)
 INSULATION RESISTANCE: 100M Ω min. AT 500V DC.
 WITHSTANDING VOLTAGE: 500V AC FOR ONE MINUTE.
 SOLDERING HEAT TEST: 260 \pm 5 $^{\circ}$ C FOR 5 \pm 1 SECONDS.
 INSERTION FORCE: 0.5-3.0 KG.
 EXTRACTION FORCE: 0.5-3.0 KG.
 LIFE TIME: 5,000 CYCLES min.

R C A JACK

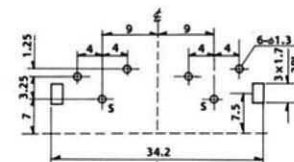
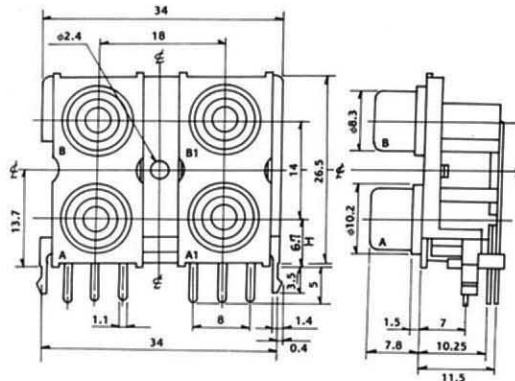
LPA0860 2P/14
LPA0860B (180°)
LPA0860S WIRE SOLDERING



P.C.B. LAYOUT
(BOTTOM VIEW)

CIRCUIT	MODEL NO.	COLOR	
		A	B
1	-302-213	RED	WHITE
2	-302-200	BLACK	BLACK
	-302-210	RED	BLACK
	-302-231	WHITE	RED

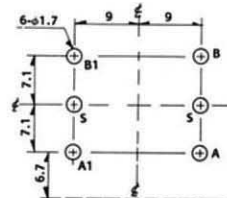
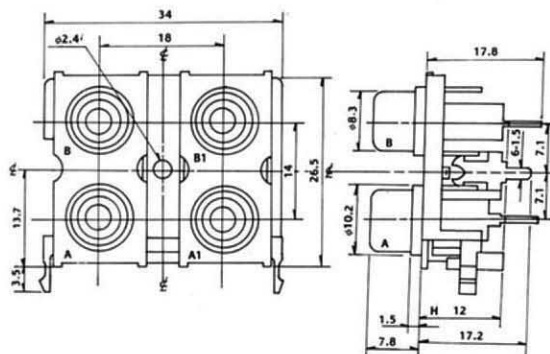
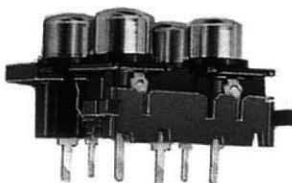
LPA0861 4P 14/18



P.C.B. LAYOUT
(BOTTOM VIEW)

CIRCUIT	MODEL NO.	COLOR			
		A	B	A1	B1
1	-302-213	RED	WHITE		
2	-302-200	BLACK	BLACK		
	-302-210	RED	BLACK		
	-302-231	WHITE	RED		
	-302-280	RED	WHITE	YELLOW	BLACK

LPA0861B (H12) 4P 14/18
LPA0861S WIRE SOLDERING

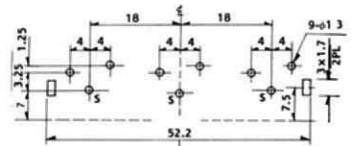
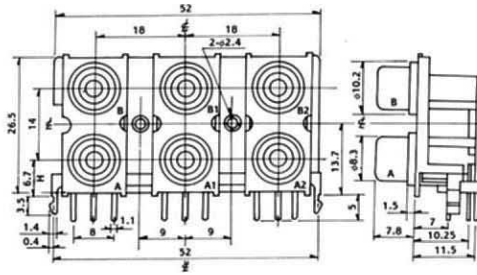
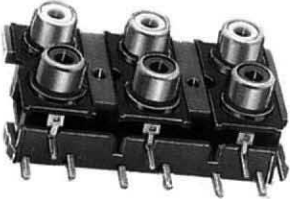


P.C.B. LAYOUT
(BOTTOM VIEW)

CIRCUIT	MODEL NO.	COLOR			
		A	B	A1	B1
1	-302-213	RED	WHITE		
2	-302-200	BLACK	BLACK		
	-302-210	RED	BLACK		
	-302-231	WHITE	RED		
	-302-280	RED	WHITE	YELLOW	BLACK

RCA JACK

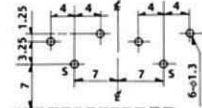
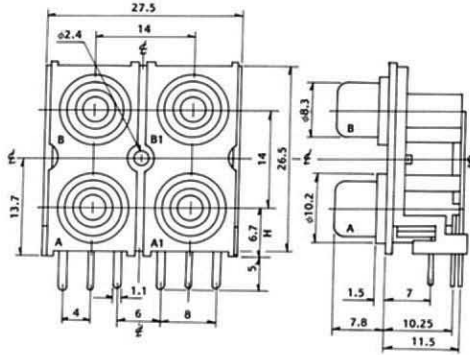
LPA0862 6P 14/18
LPA0862B (180°)
LPA0862S WIRE SOLDERING



P.C.B. LAYOUT
(BOTTOM VIEW)

CIRCUIT	MODEL NO.	COLOR					
		A	B	A1	B1	A2	B2
●	-302-213	RED	WHITE				
●	-302-200	BLACK	BLACK				
●	-302-210	RED	BLACK				
●	-302-231	WHITE	RED				
●	-302-281	RED	RED	WHITE	WHITE	YELLOW	YELLOW

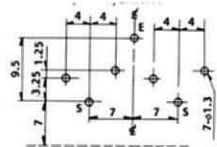
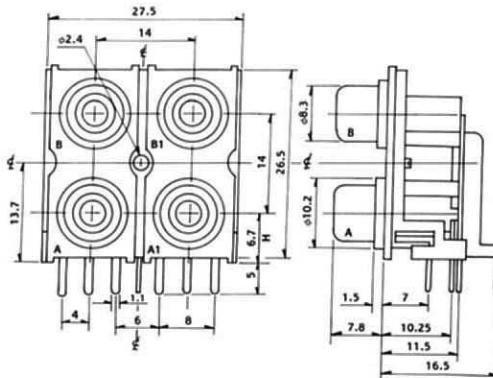
LPA0863 4P 14/14



P.C.B. LAYOUT
(BOTTOM VIEW)

CIRCUIT	MODEL NO.	COLOR			
		A	B	A1	B1
●	-302-213	RED	WHITE		
●	-302-200	BLACK	BLACK		
●	-302-210	RED	BLACK		
●	-302-231	WHITE	RED		
●	-302-280	RED	WHITE	YELLOW	BLACK

LPA0863A 4P 14/14 W/EARTH

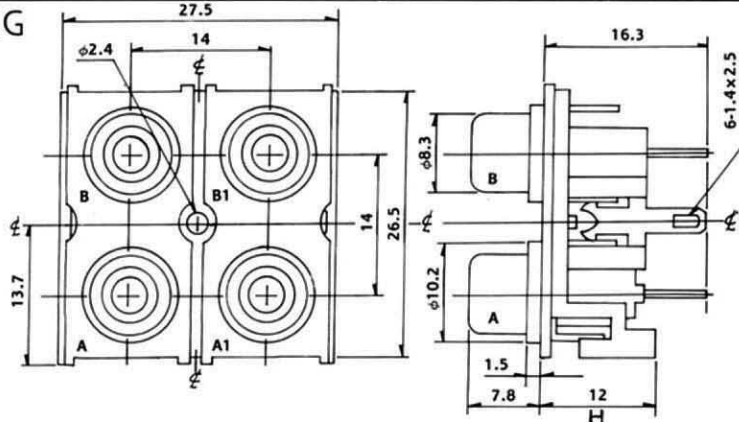
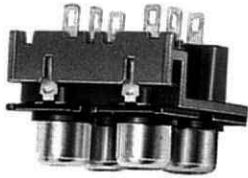


P.C.B. LAYOUT
(BOTTOM VIEW)

CIRCUIT	MODEL NO.	COLOR			
		A	B	A1	B1
●	-302-213	RED	WHITE		
●	-302-200	BLACK	BLACK		
●	-302-210	RED	BLACK		
●	-302-231	WHITE	RED		
●	-302-280	RED	WHITE	YELLOW	BLACK

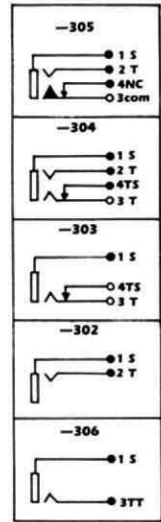
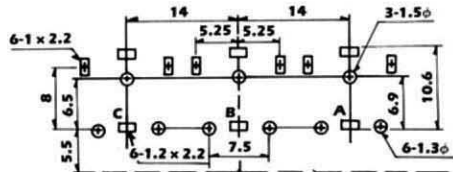
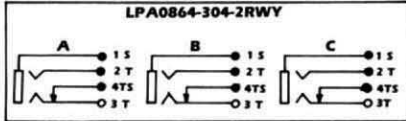
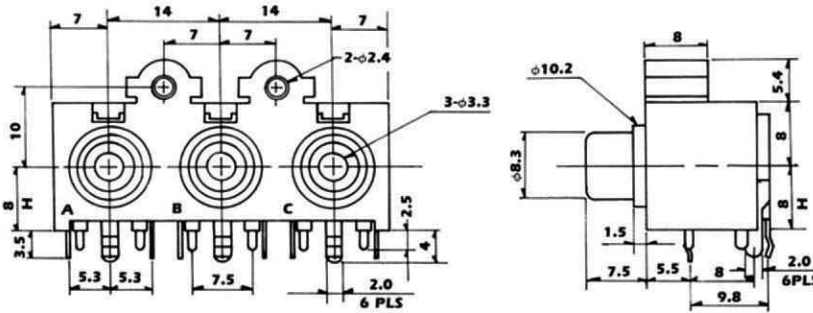
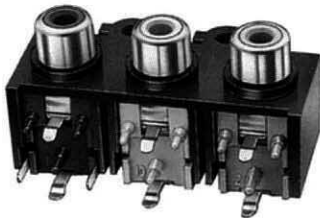
R C A JACK

LPA0863S 4P 14/14 WIRE SOLDERING
LPA0863B (180°)



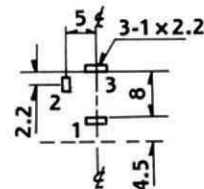
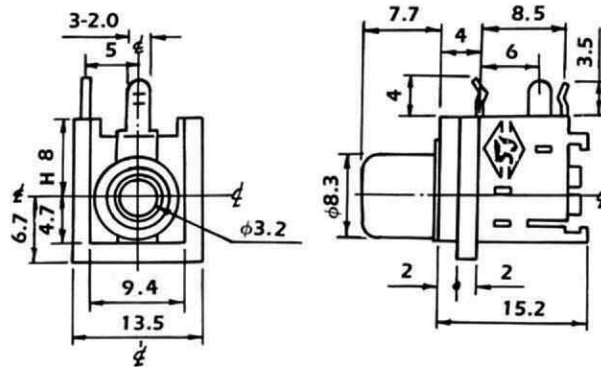
CIRCUIT	MODEL NO.	COLOR			
		A	B	A1	B1
	-302-213	RED	WHITE		
	-302-200	BLACK	BLACK		
	-302-210	RED	BLACK		
	-302-231	WHITE	RED		
	-302-280	RED	WHITE	YELLOW	BLACK

LPA0864

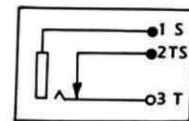


P.C.B. LAYOUT (BOTTOM VIEW)

LP-0834

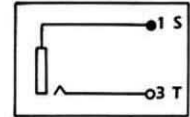
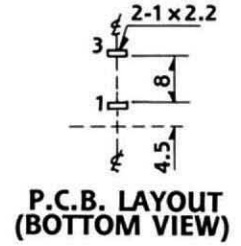
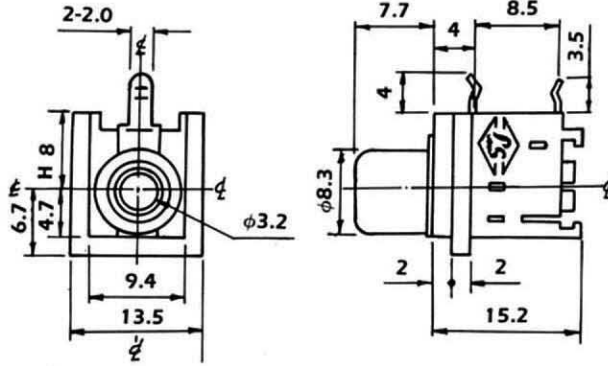


P.C.B. LAYOUT (BOTTOM VIEW)

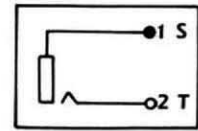
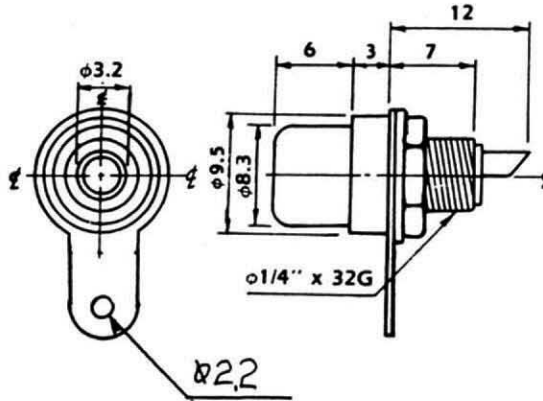


RCA JACK

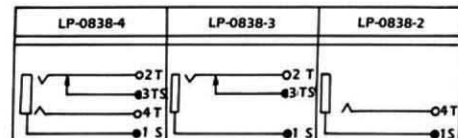
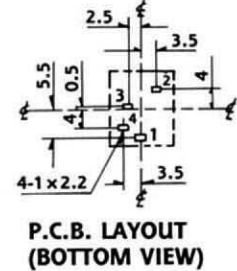
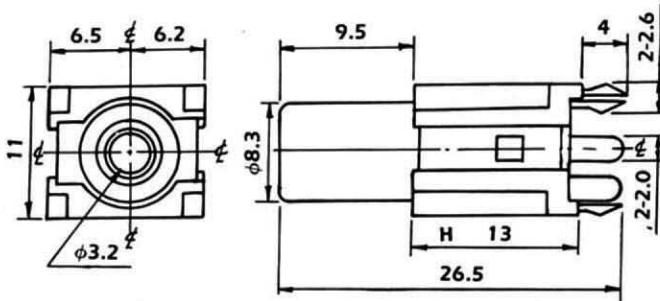
LP-0835



LP-0837

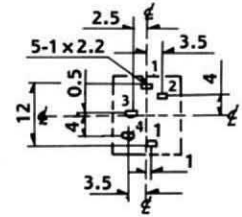
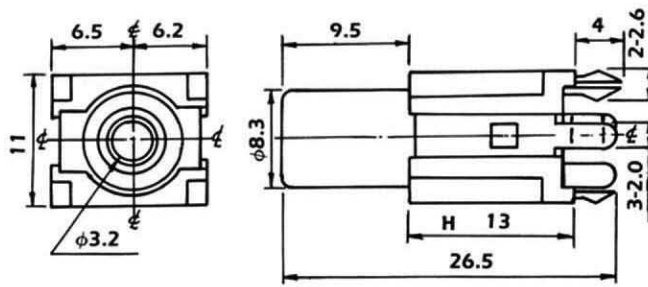


LP-0838

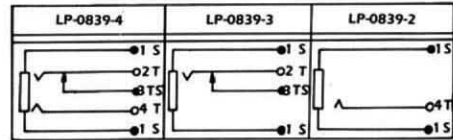


R C A JACK

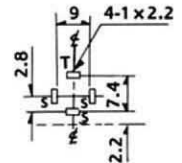
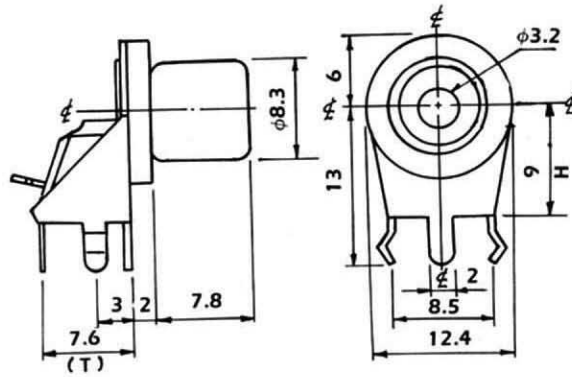
LP-0839



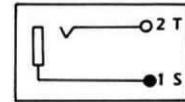
**P.C.B. LAYOUT
(BOTTOM VIEW)**



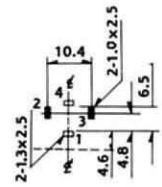
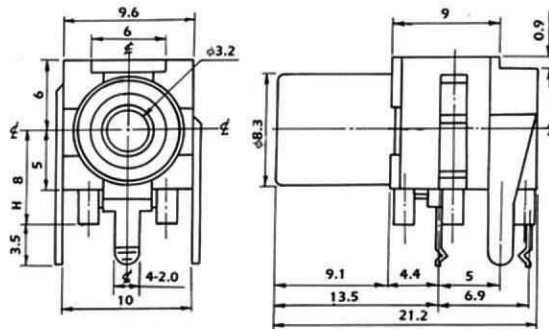
LP-0840



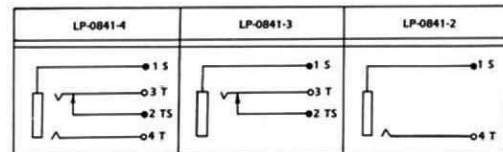
**P.C.B. LAYOUT
(BOTTOM VIEW)**



LP-0841

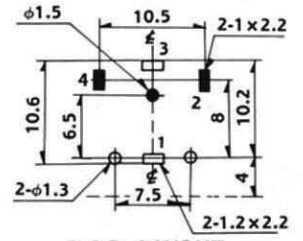
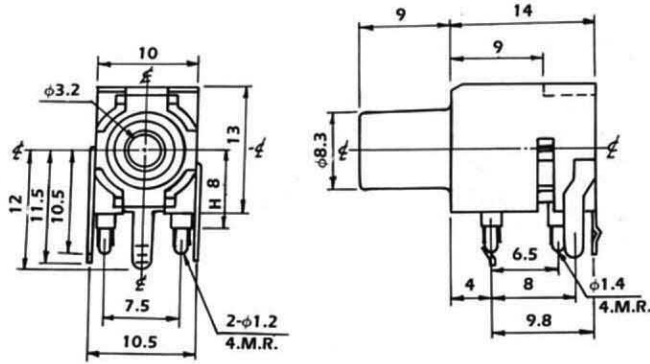


**P.C.B. LAYOUT
(BOTTOM VIEW)**



R C A JACK

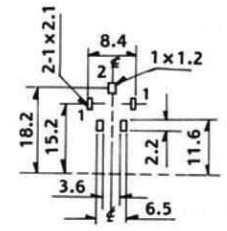
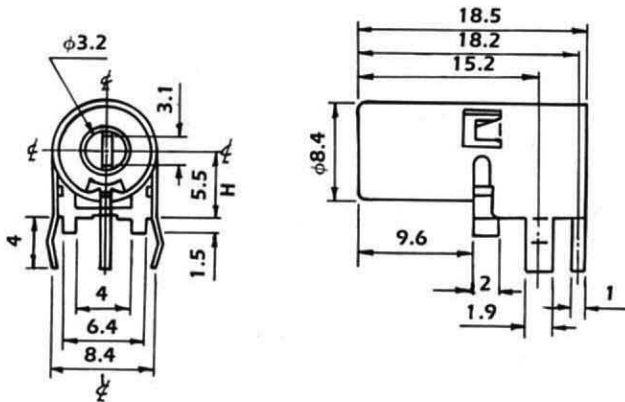
LP-0843



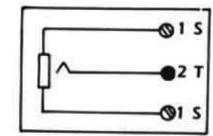
**P.C.B. LAYOUT
(BOTTOM VIEW)**

LP-0843-5	LP-0843-4	LP-0843-3	LP-0843-2

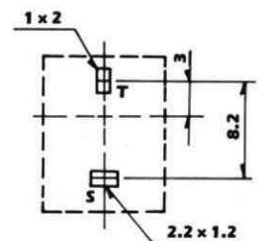
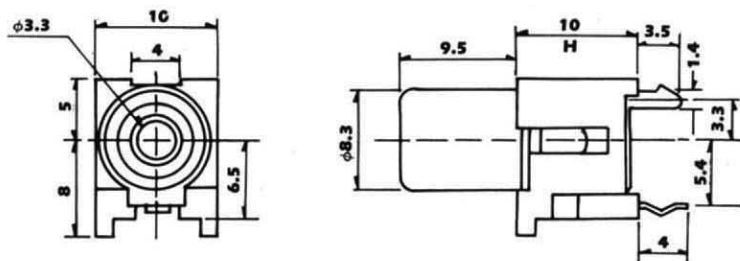
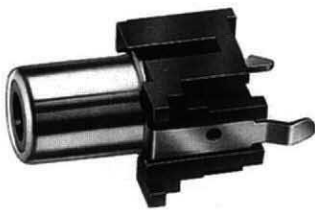
LP-0844



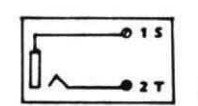
**P.C.B. LAYOUT
(BOTTOM VIEW)**



LP-0848

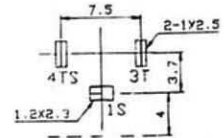
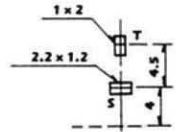
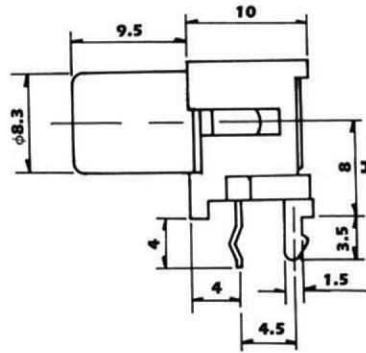
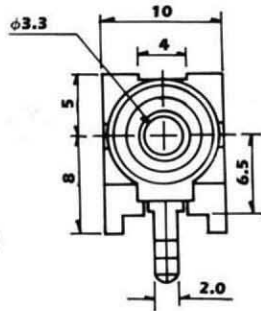
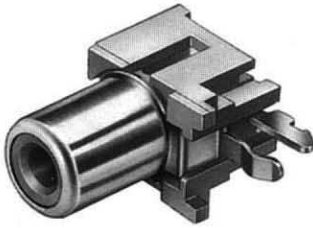


**P.C.B. LAYOUT
(BOTTOM VIEW)**

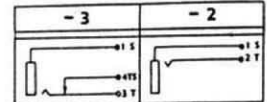


RCA JACK

LP-0848A

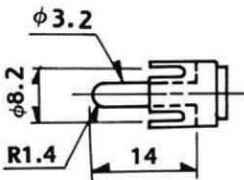


**P.C.B LAYOUT
(BOTTOM VIEW)**



MATING PLUG

R C A JACK

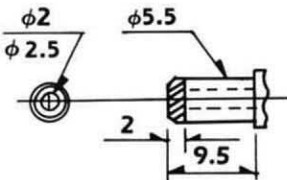


REQUIREMENTS

- CONTACT RESISTANCE: 30mΩ max. (INITIAL)
- INSULATION RESISTANCE: 100MΩ min. AT 500V DC.
- WITHSTANDING VOLTAGE: 500V AC FOR ONE MINUTE.
- SOLDERING HEAT TEST: 260±5°C FOR 5±1 SECONDS.
- INSERTION FORCE: 0.3-3.0 KG.
- EXTRACTION FORCE: 0.3-3.0 KG.
- LIFE TIME: 5,000 CYCLES min.

MATING PLUG

DC POWER JACK

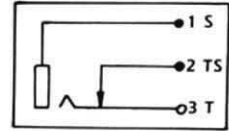
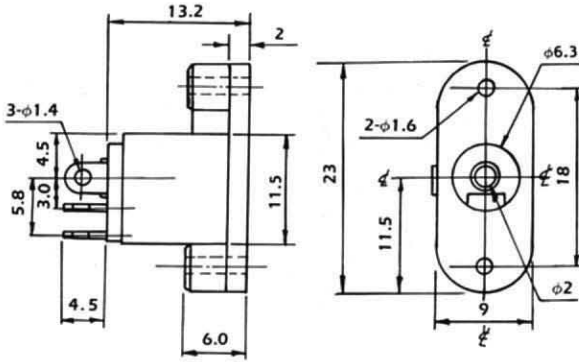


REQUIREMENTS

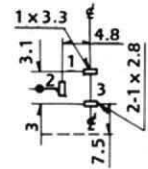
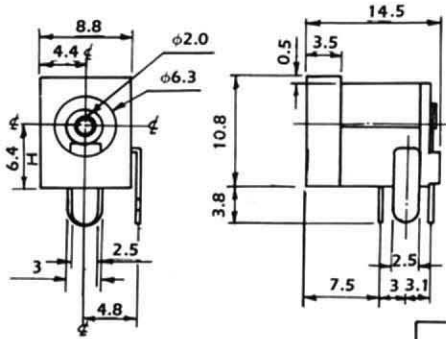
- CONTACT RESISTANCE: 30mΩ max. (INITIAL)
- INSULATION RESISTANCE: 100MΩ min. AT 500V DC.
- WITHSTANDING VOLTAGE: 500V AC FOR ONE MINUTE.
- SOLDERING HEAT TEST: 260±5°C FOR 5±1 SECONDS.
- INSERTION FORCE: 0.3-2.0 KG.
- EXTRACTION FORCE: 0.3-2.0 KG.
- LIFE TIME: 5,000 CYCLES min.

DC POWER JACK

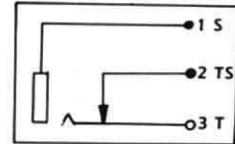
LD-0201



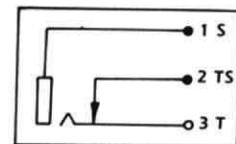
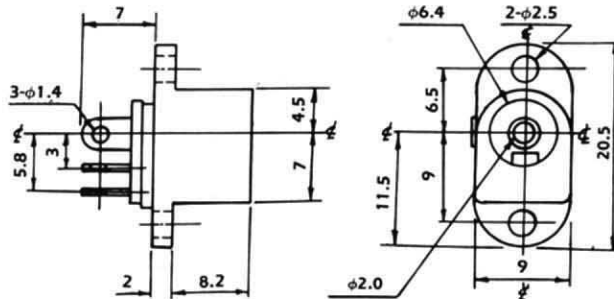
LD-0202



**P.C.B. LAYOUT
(BOTTOM VIEW)**



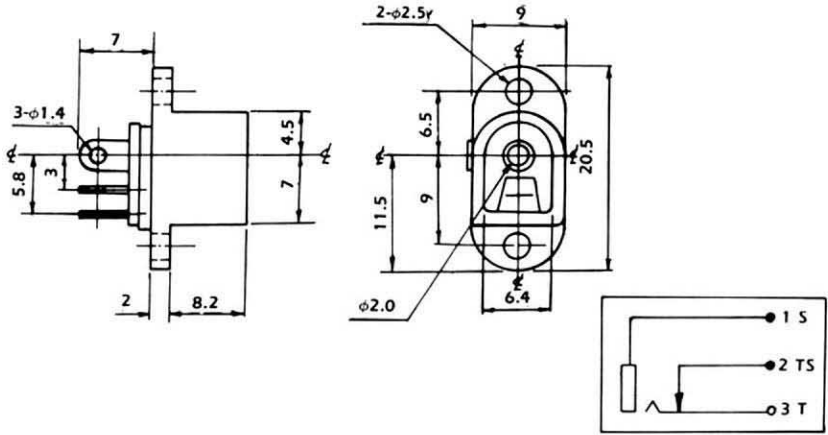
LD-0204



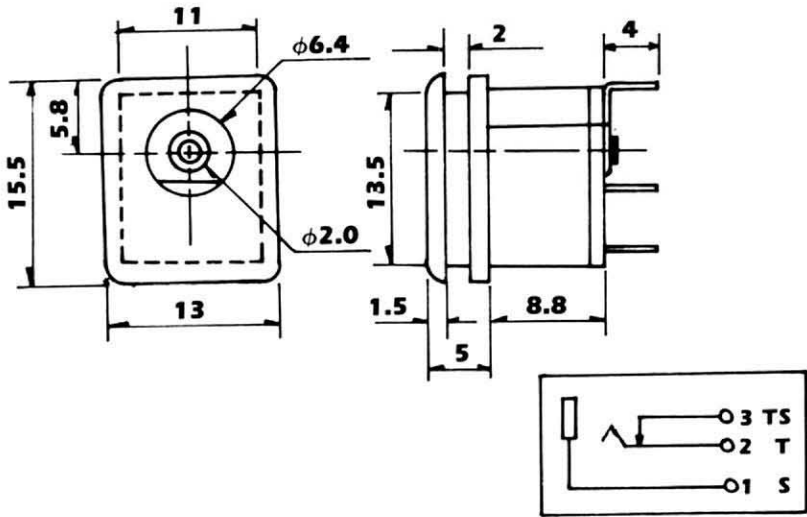


DC POWER JACK

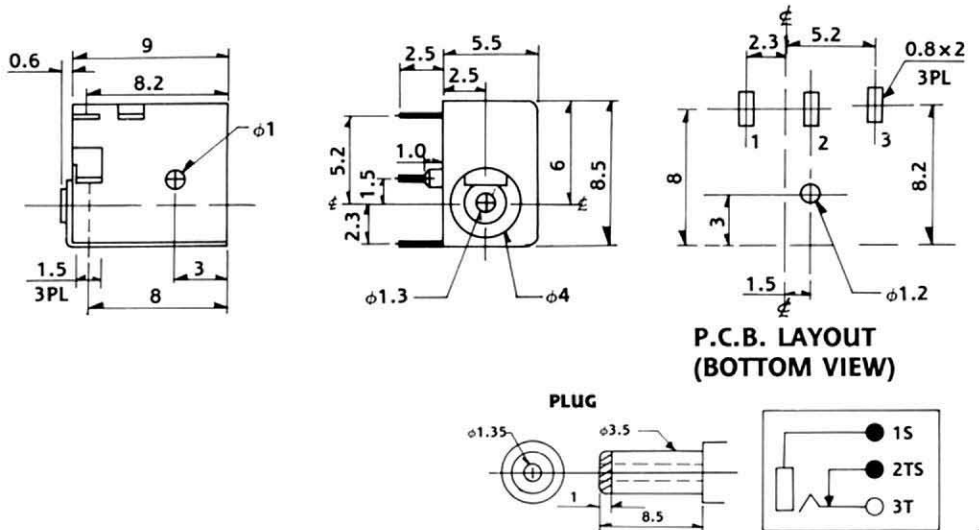
LD-0205



LD-0207S

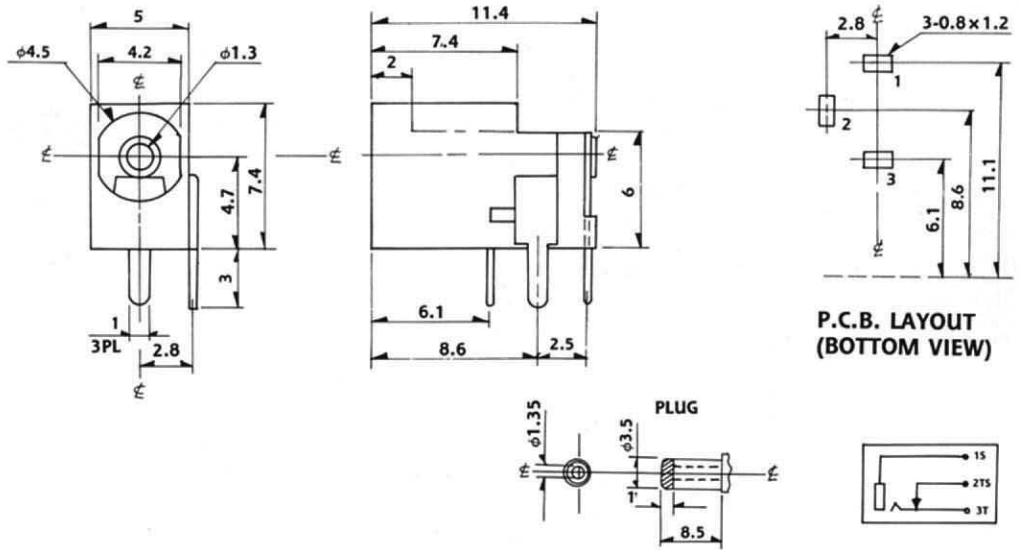


LD-0208

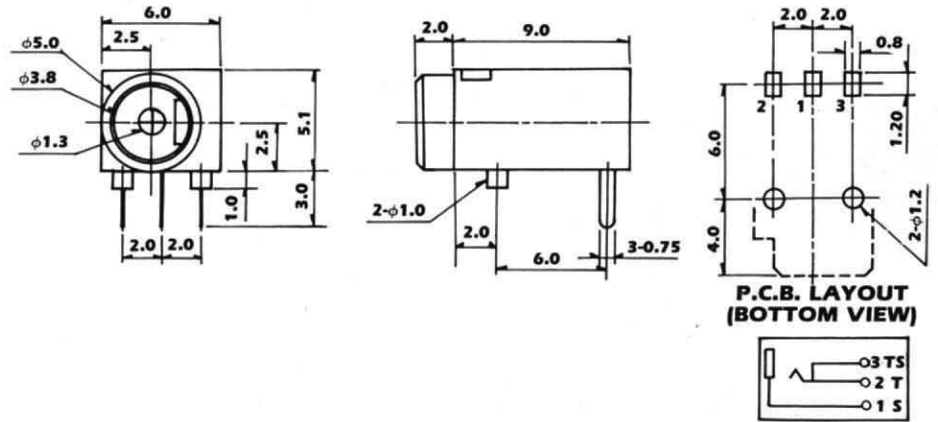


DC POWER JACK

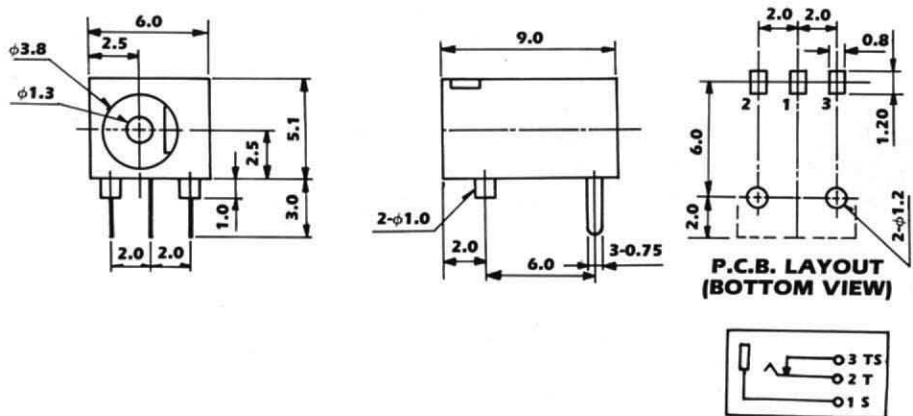
LD-0209



LD-0210

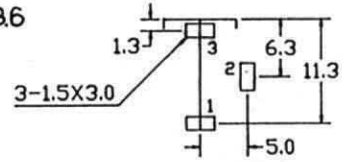
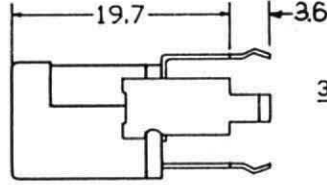
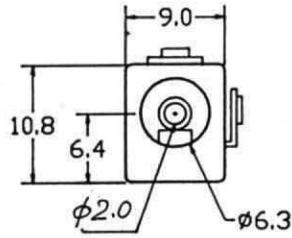


LD-0211

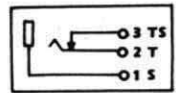


DC POWER JACK

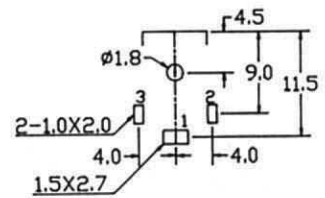
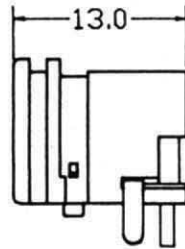
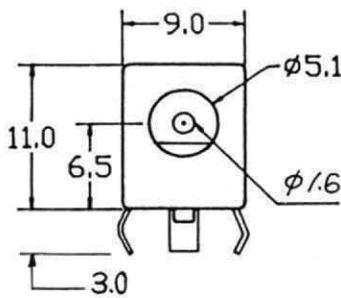
LD-0213



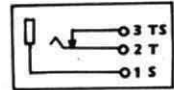
P.C.B. LAYOUT
(BOTTOM VIEW)



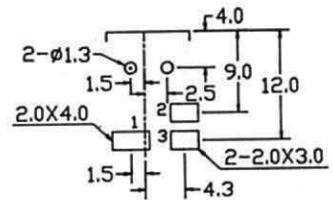
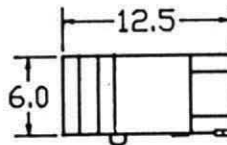
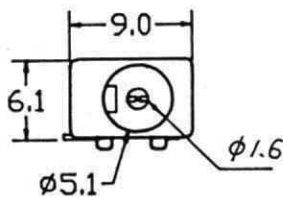
LD-0214



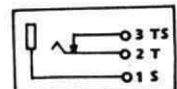
P.C.B. LAYOUT
(BOTTOM VIEW)



LD-0215



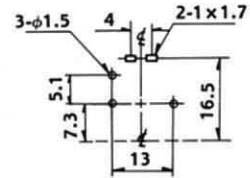
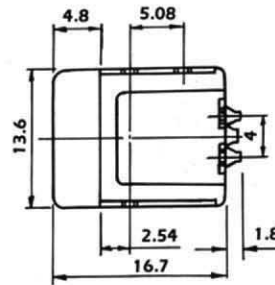
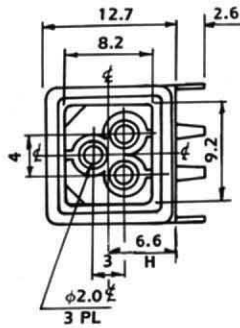
P.C.B. LAYOUT
(BOTTOM VIEW)



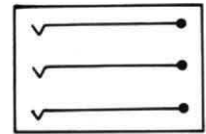
(S.M.T.)

3 PIN CONNECTOR

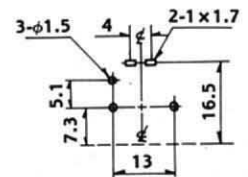
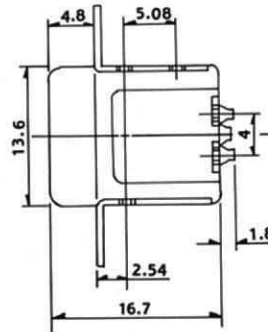
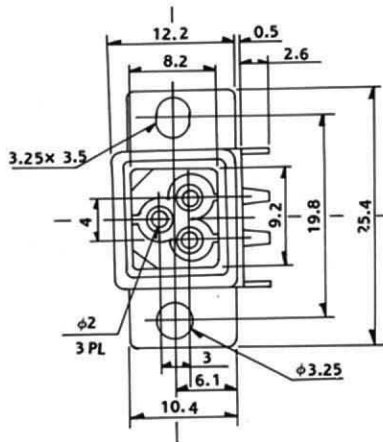
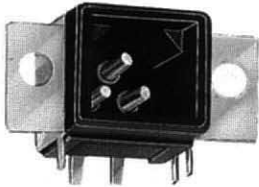
LA-2001



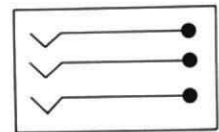
**P.C.B. LAYOUT
(BOTTOM VIEW)**



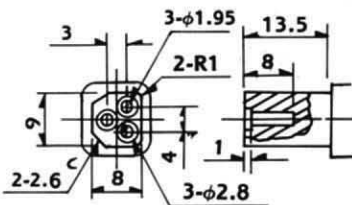
LA-2003



**P.C.B. LAYOUT
(BOTTOM VIEW)**



MATING PLUG

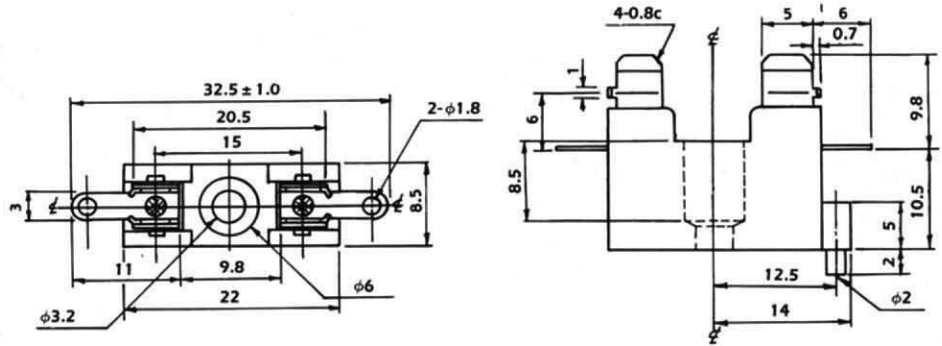


REQUIREMENTS

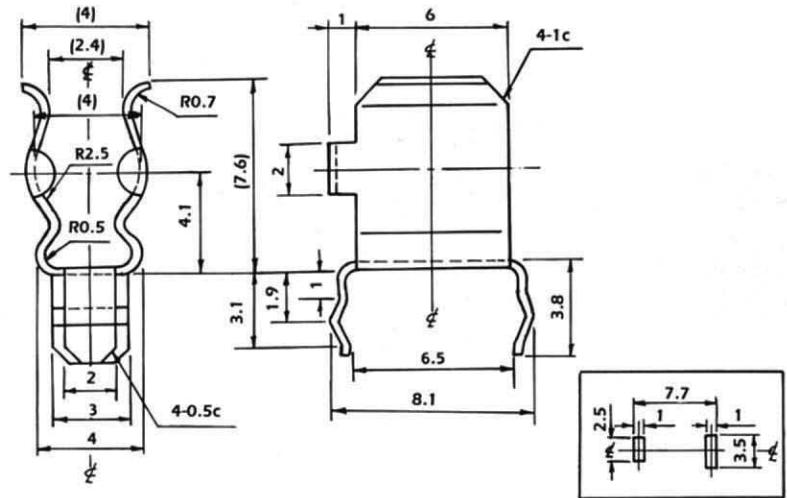
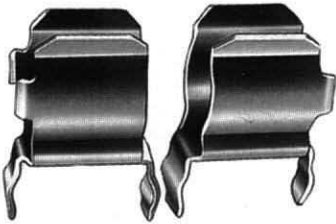
- CONTACT RESISTANCE: 30mΩ max. (INITIAL)
- INSULATION RESISTANCE: 100MΩ min. AT 500V DC.
- WITHSTANDING VOLTAGE: 500V AC FOR ONE MINUTE.
- SOLDERING HEAT TEST: 260±5°C FOR 5±1 SECONDS.
- INSERTION FORCE: 7.2 KGS max.
- EXTRACTION FORCE: 1.2 KGS min.
- LIFE TIME: 5,000 CYCLES min.

FUSE HOLDER AND RF CONNECTOR

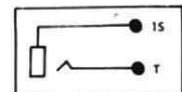
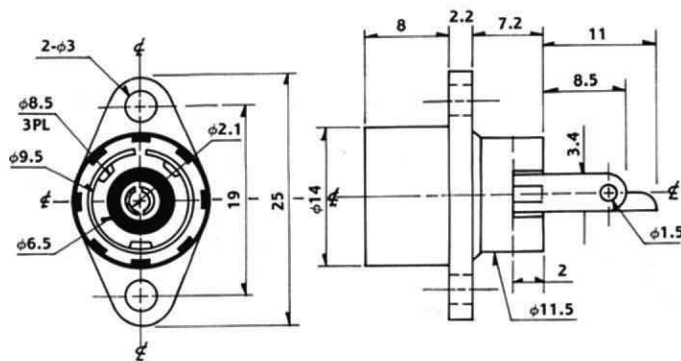
LB-3001



LB-3002

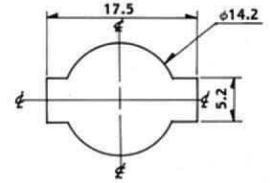
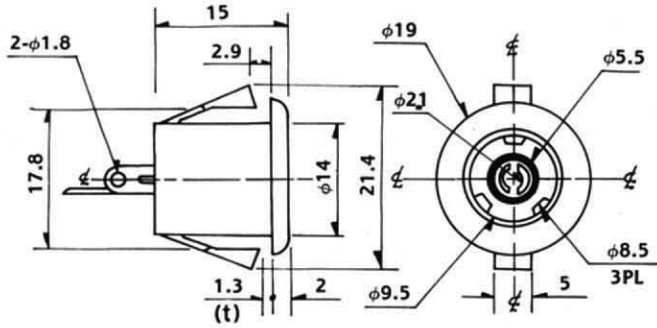


LB-3003

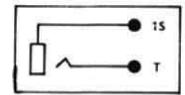


RF CONNECTOR AND POWER JACK

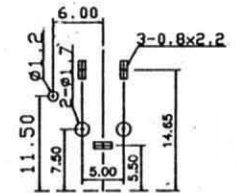
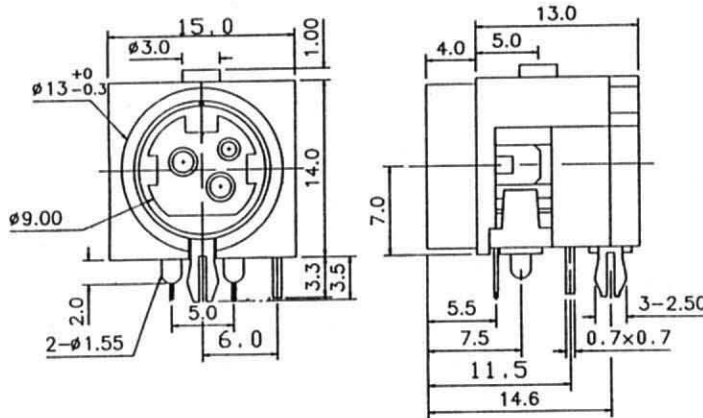
LB-3004 (t1.3)



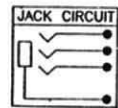
MOUNTING HOLE



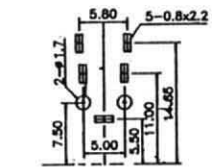
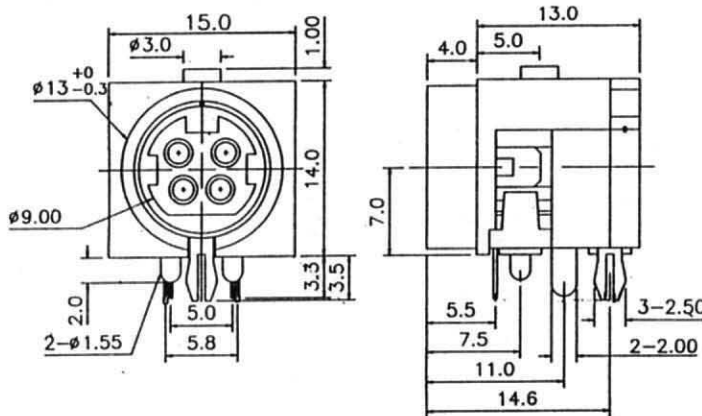
LA-2004-3



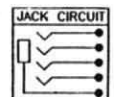
P.C.B. LAYOUT (BOTTOM VIEW)



LA-2004-4

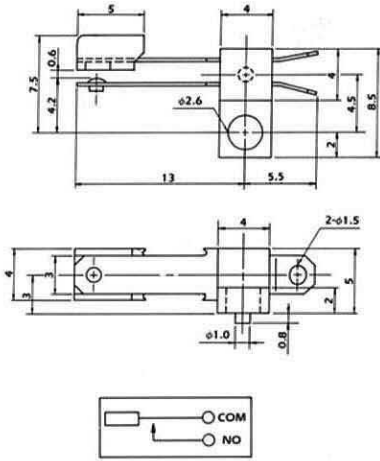


P.C.B. LAYOUT (BOTTOM VIEW)

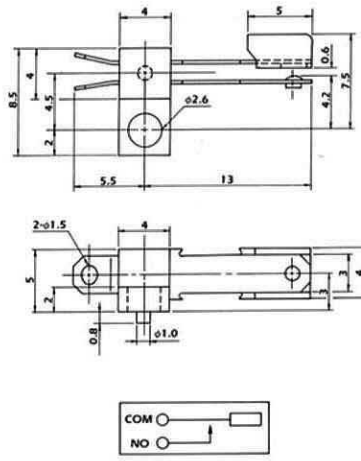


LEAF SWITCH

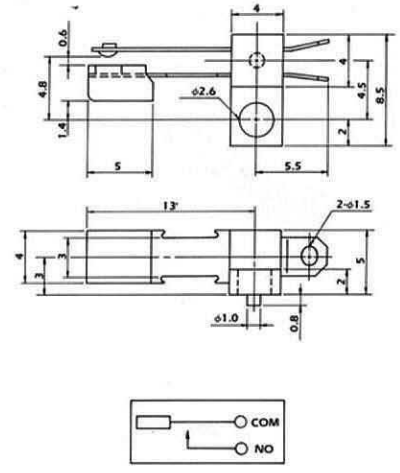
LS-L112U-13A



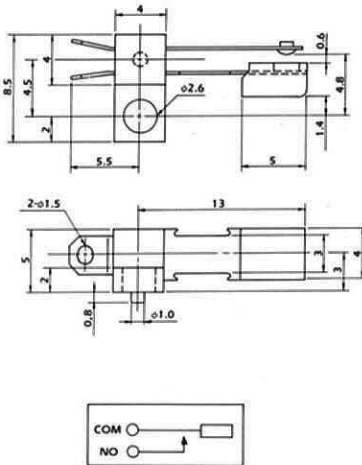
LS-R112U-13A



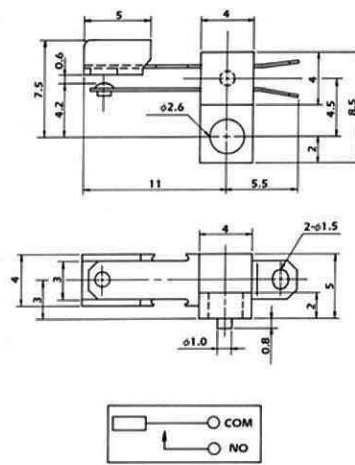
LS-L112D-13A



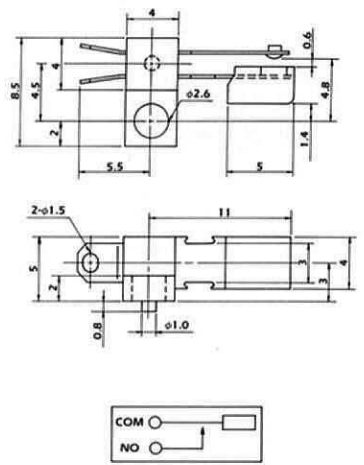
LS-R112D-13A



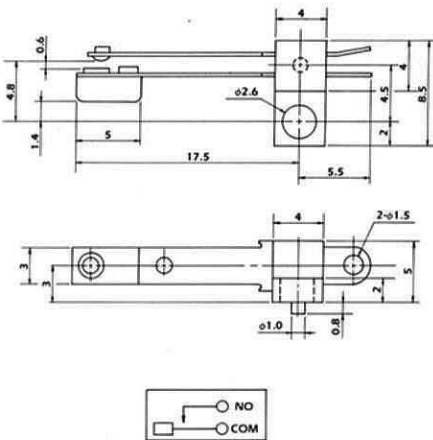
LS-L112U-11A



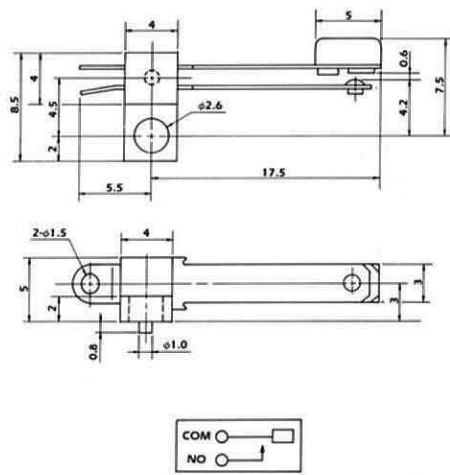
LS-R112D-11A



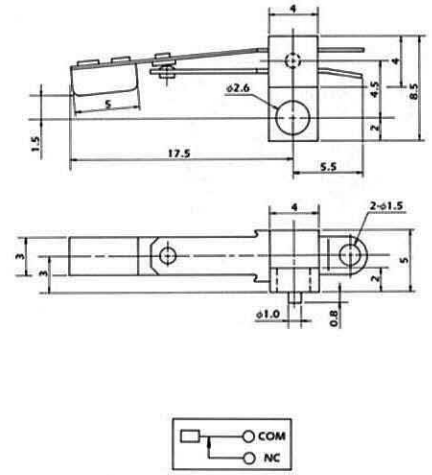
LS-L112D-175A



LS-R112U-175A

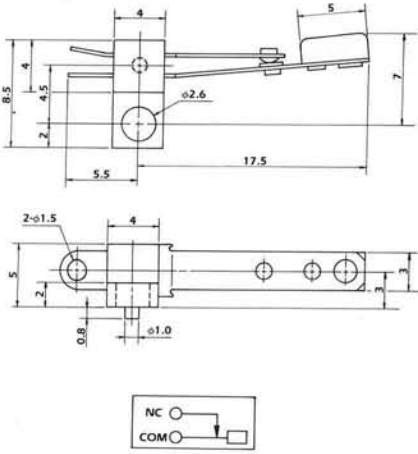


LS-L112D-175B

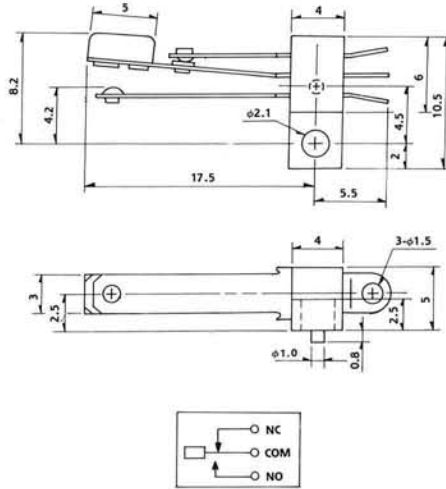


LEAF SWITCH

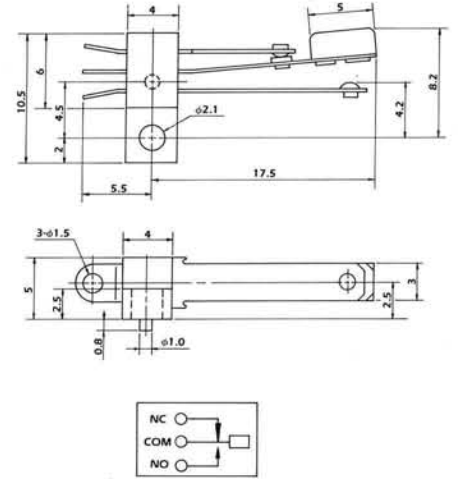
LS-R112U-175B



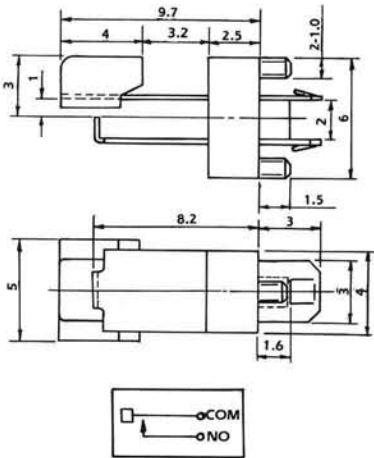
LS-L113U-175C



LS-R113U-175C



LS-P115-10A



LEAF SWITCH

REQUIREMENTS

- CONTACT RESISTANCE: 30m Ω max. (INITIAL)
- INSULATION RESISTANCE: 100M Ω min. AT 500V DC.
- WITHSTANDING VOLTAGE: 500V AC FOR ONE MINUTE.
- SOLDERING HEAT TEST: 260 \pm 5 $^{\circ}$ C FOR 5 \pm 1 SECONDS.
- OPERATING FORCE: 60-120 g.
- APTITUDE STROKE: 3.0mm max.
- RATING VOLTAGE & CURRENT: DC 16V, 20mA-1.0A.
- LIFE TIME: 10,000 CYCLES min.

LS-L116U-10AN

